

# Molded Polymer Filter Silencers

## PS Series 1/8" - 1"

### Benefits

- Longer element life with maximized surface area
- Cost-efficient solution
- Low restriction improves equipment performance

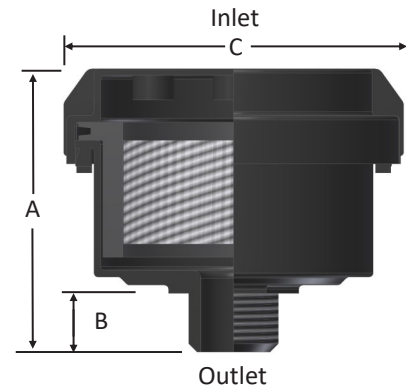
### Features

- Easy snap-on design for quick servicing
- Durable glass reinforced nylon housing
- Compact, low profile configuration
- Noise reducing silencing design
- High grade filter element with integrated gasket seal



### Technical Specifications

- Temp (continuous): min -26°C (-15°F) max 104°C (220°F)
- Filter change out differential: 37-50 mbar over initial ΔP
- Pressure drop graphs available upon request
- Polyester: 99%+ removal efficiency standard to 10 micron
- Paper: 99%+ removal efficiency standard to 2 micron



MPT Outlet	Assembly m <sup>3</sup> /hr Rating	Assembly Part Number		Dimensions - mm			Suggested Service ht. mm	Approx. Weight (kg)	Replacement Element Part No.		Element m <sup>3</sup> /hr Rating
		Polyester	Paper	A	B	C			Polyester	Paper	
1/8"	5	PS-03-013	PS-02-013	45	11	44	25	0.02	03™	02™	5
1/4"	5	PS-03-025	PS-02-025	40	11	44	25	0.02	03™	02™	5
1/4"	7	PS-05-025	PS-04-025	52	11	65	25	0.04	05™	04™	14
3/8"	10	PS-05-038	PS-04-038	52	11	65	25	0.04	05™	04™	14
1/2"	10	PS-05-050	PS-04-050	52	11	65	25	0.04	05™	04™	14
1/2"	17	PS-07-050	PS-06-050	81	18	82	35	0.09	07™	06™	20
1/2"	20	PS-11-050	PS-10-050	81	18	106	35	0.14	11™	10™	60
3/4"	20	PS-07-075	PS-06-075	90	27	82	35	0.14	07™	06™	20
3/4"	34	PS-11-075	PS-10-075	95	31	106	35	0.16	11™	10™	60
1"	60	PS-11-100	PS-10-100	95	31	106	35	0.18	11™	10™	60

Note: MPT threaded housings are interchangeable with BSPT up to 1".

See Filter Silencer Technical Data for sizing guidelines.

Rev: M202402C2