



SOLBERG oil mist solutions

Crankcase/Gearbox Breathers CV Series



*Superior Oil Mist Elimination
Minimal Back Pressure*

www.oilmistsolutions.com
sales/service: 630.616.4411
discover the possibilities



Crankcase/Gearbox Breathers

Superior Oil Mist Elimination

Minimal Back Pressure



APPLICATIONS & EQUIPMENT

- Reciprocating Engines– Crankcase Breathers
- Centrifugal Compressors – Gearbox Vent
- Gas/Steam Turbines– Lube Oil Reservoir Vents
- Hydraulic Gearbox– Prevent Oil Contamination

PURPOSE & FUNCTIONS

- Eliminates the visible emissions or blue-white smoke; created by rotating gears and drive shafts which agitate oil reservoirs and produce oil mist from the breather ports
- Reduces oil mist emissions to remove potential health hazards, minimize unpleasant odors and improve the quality of the environment
- Minimizes oil accumulation on flat surfaces- like floors and junction boxes, which may cause fire hazards and safety risks
- Recovers expensive oil which can be lost during the venting process allowing efficient operation and lower service costs

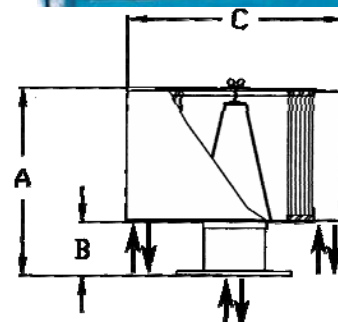
FEATURES & SPECIFICATIONS

- **Minimum** 99.97% D.O.P. on 0.3 micron oil mist for **OSHA compliance**, high performance
- Ultra low back pressure (less than 3" water column), wrapped coalescing media is used to ensure proper function of tank seals
- Multi-Directional breathing capabilities to prevent oil contamination
- Element has a 8000/hr mean life span allowing for reduced service intervals
- Durable, seamless drawn carbon steel housings with no welds to rust or vibrate apart
- External drain for oil return to the crankcase/gearbox
- Wide range of air flows and operating temperatures: minimum -20°F (-29°C) maximum 220°F (104°C)

OPTIONS (Inquires Encouraged)

- Fan, Blower or Venturi assist
- Internal demister and drain-back mechanism
- Extended outlet pipes
- Pleated coalescing element
- Integrated baffle systems
- Multiple connection sizes
- Custom & proprietary designs

TYPICAL INSTALLATION



Multi-Directional Airflow

with Wrapped Coalescing Element	Outlet		Reference Only Dimensions - inches			Rated SCFM Flow	Approx. Wt. lbs
	Size	Type	A	B	C		
CVB-WP18-100	1"	MPT	6 5/8	1 5/8	6	3	3
CVB-WP18-125	1 1/4"	MPT	6 5/8	1 5/8	6	3	3
CVB-WP18-150	1 1/2"	MPT	6 5/8	1 5/8	6	3	3
CVB-WP230-200	2"	MPT	11 7/8	2 1/4	10	5	5.5
CVB-WP230-250	2 1/2"	MPT	12 5/8	3	10	8	5.5
CVB-WP274-300	3"	MPT	13	3	10	13	15
CVB-WP274-400	4"	MPT	14	4	10	18	15
CVB-WP274-400F	4"	FLG	14	4	10	18	20
CVB-WP374-500F	5"	FLG	20	4	16	26	38
CVB-WP374-600F	6"	FLG	21	5	16	26	40

Note: Model offerings and design parameters may change without notice.

Dimension Tolerance $\pm 1/4"$

Solberg Oil Mist Solutions
 1151 Ardmore Ave. • Itasca, IL 60143 USA
 Sales/Service: 630.616.4411 • Fax: 630.773.0727