



# COMPACT "L" STYLE VACUUM FILTERS

"VL" Series 3"-6" BSPT, DN80-DN150 PN10 Pattern Flange

## APPLICATIONS & EQUIPMENT

- ♦ Vacuum Pumps & Systems – Roots, Side Channel, Rotary Vane, Screw, Piston
- ♦ Pneumatic Conveying Systems
- ♦ Food Industry
- ♦ Cement
- ♦ Vacuum Packaging Equipment
- ♦ Remote Install for Piston, Screw & Centrifugal Compressors
- ♦ Paper Processing
- ♦ Bag House Systems
- ♦ Vacuum Furnaces
- ♦ Factory Automation Equip
- ♦ Glass, Ceramic Processing
- ♦ Envelope Manufacturing
- ♦ Blowers - Side Channel & Roots
- ♦ Ash Handling
- ♦ Waste Water Treatment
- ♦ Medical Industry
- ♦ Woodworking
- ♦ Chemical Processing

## FEATURES & SPECIFICATIONS

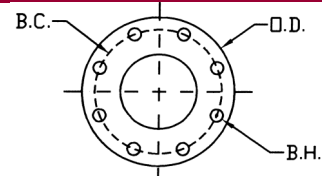
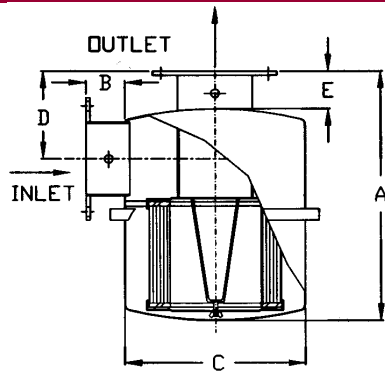
- ♦ **Vacuum level:** Typically  $1 \times 10^{-3}$  mmHg ( $1.3 \times 10^{-3}$  mbar)
- ♦ Polyester: 99%+ removal efficiency standard to 5 micron
- ♦ **Compact** design for space restrictions
- ♦ Paper: 99%+ removal efficiency standard to 2 micron
- ♦ Quick release "V" band clamp for ease in maintenance
- ♦ Temp (continuous): min -26°C (-15°F) max 104°C (220°F)
- ♦ Rugged carbon steel construction
- ♦ Filter change out differential: 255 - 380 mm H<sub>2</sub>O over initial delta P
- ♦ Positive engagement O-ring seal system
- ♦ **Large** dirt holding capacity and **Easy** field cleaning
- ♦ Pressure drop graphs available upon request
- ♦ **Low** pressure drop
- ♦ Inlet/outlet 1/4" gauge taps

## OPTIONS (Inquiries Encouraged)

- ♦ "Straight Through" design (VS Series)
- ♦ Available in **Stainless Steel**
- ♦ Custom connections
- ♦ Extended Shell for **High Holding Cap.**
- ♦ Epoxy coated housings
- ♦ Activated carbon prefilters to reduce order
- ♦ Various media
- ♦ Support brackets

## CONFIGURATION

## DRAWING



Flange Orientation

Note: All side inlet to top outlet flanges are orientated "split center".

Dimension tolerance  $\pm 6$  mm

Approx. 385 mm Service Area Needed

**I = Industrial Duty S = Severe Duty E = Extreme Duty**

	with Polyester Element	with Paper Element	Inlet & Outlet	Connection Style	DIMENSIONS - mm					Rated Flow m <sup>3</sup> /h Nominal Rating	Element Rating	Approx. Wt. Kg
					A	B	C	D	E			
E	VL-275P-301	VL-274P-301	3"	BSPT	572	89	406	178	64	510	1870	28
E	VL-275P-401	VL-274P-401	4"	BSPT	597	89	406	203	89	885	1870	29
S	VL-275P-501	VL-274P-501	5"	BSPT	597	89	406	203	89	1360	1870	29
I	VL-275P-601	VL-274P-601	6"	BSPT	597	89	406	203	89	1870	1870	30
E	VL-275P-DN80	VL-274P-DN80	DN80	Flange	597	89	406	203	89	885	1870	30
E	VL-275P-DN100	VL-274P-DN100	DN100	Flange	597	89	406	203	89	885	1870	30
S	VL-275P-DN125	VL-274P-DN125	DN125	Flange	597	89	406	203	89	1360	1870	31
I	VL-275P-DN150	VL-274P-DN150	DN150	Flange	597	89	406	203	89	1870	1870	31

PN 10 Pattern Flange	Dimensions - mm			No. of Holes	Thickness Flg mm
	O.D.	B.C.	B.H.		
DN 80	200	160	18	8	20
DN100	220	180	18	8	20
DN125	250	210	18	8	22
DN150	285	240	22	8	22

Note: Model offerings and design parameters may change without notice.

INLET VACUUM FILTERS  
CSL, CT, VL, VS, LRS Series