



## Static Oil Mist Eliminator CV Series

### APPLICATIONS & EQUIPMENT

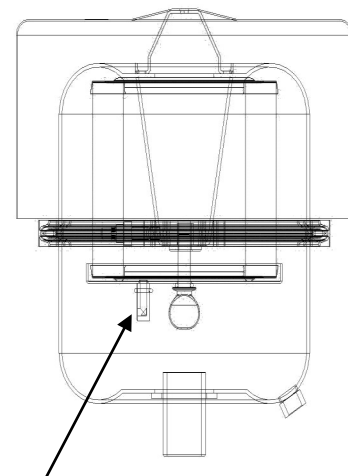
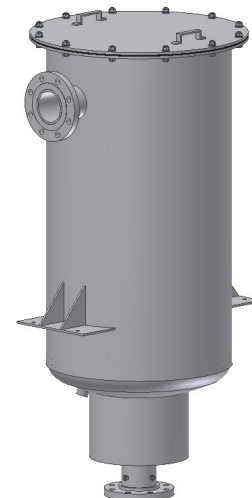
- Vents for Oil Reservoirs, Crankcases, Bearings, Coupling Guards
- Compressors, Turbines, Gearboxes, Engines

### FEATURES & SPECIFICATIONS

- Eliminates Visible Vented Oil Mist Emissions
- High Efficiency Fiberglass Filter Elements: 99.97% removal efficiency for 0.3  $\mu\text{m}$  oil mist
- Carbon Steel Construction with Durable Powder Coat Finish
- Low Back Pressure Filter Element Design: Pleated and Wrapped Fiberglass Options
- Extensive Flow Range
- Temp (continuous): min  $-15^{\circ}\text{F}(-26^{\circ}\text{C})$  max  $220^{\circ}\text{F}(104^{\circ}\text{C})$

### OPTIONS (Inquiries Encouraged)

- Stainless Steel Construction and Resistant Coatings
- Internal Drain-Back Mechanism
- Alternative Filtration Media (Wire Mesh Demister, Vane Separator)
- Vacuum Assisted Style Available: Solberg **VAE Series**



**Static Oil Mist Eliminators w/Internal Drain-Back Mechanism**

Solberg Manufacturing, Inc.  
1151 Ardmore Ave. • Itasca, IL 60143 USA  
Sales/Service: 630.773.1363 • Fax: 630.773.2643  
E-mail: sales@solbergmfg.com • Web Site: www.solbergmfg.com