



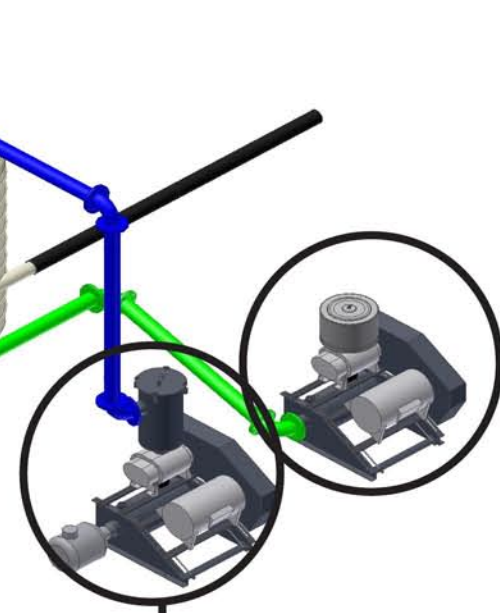
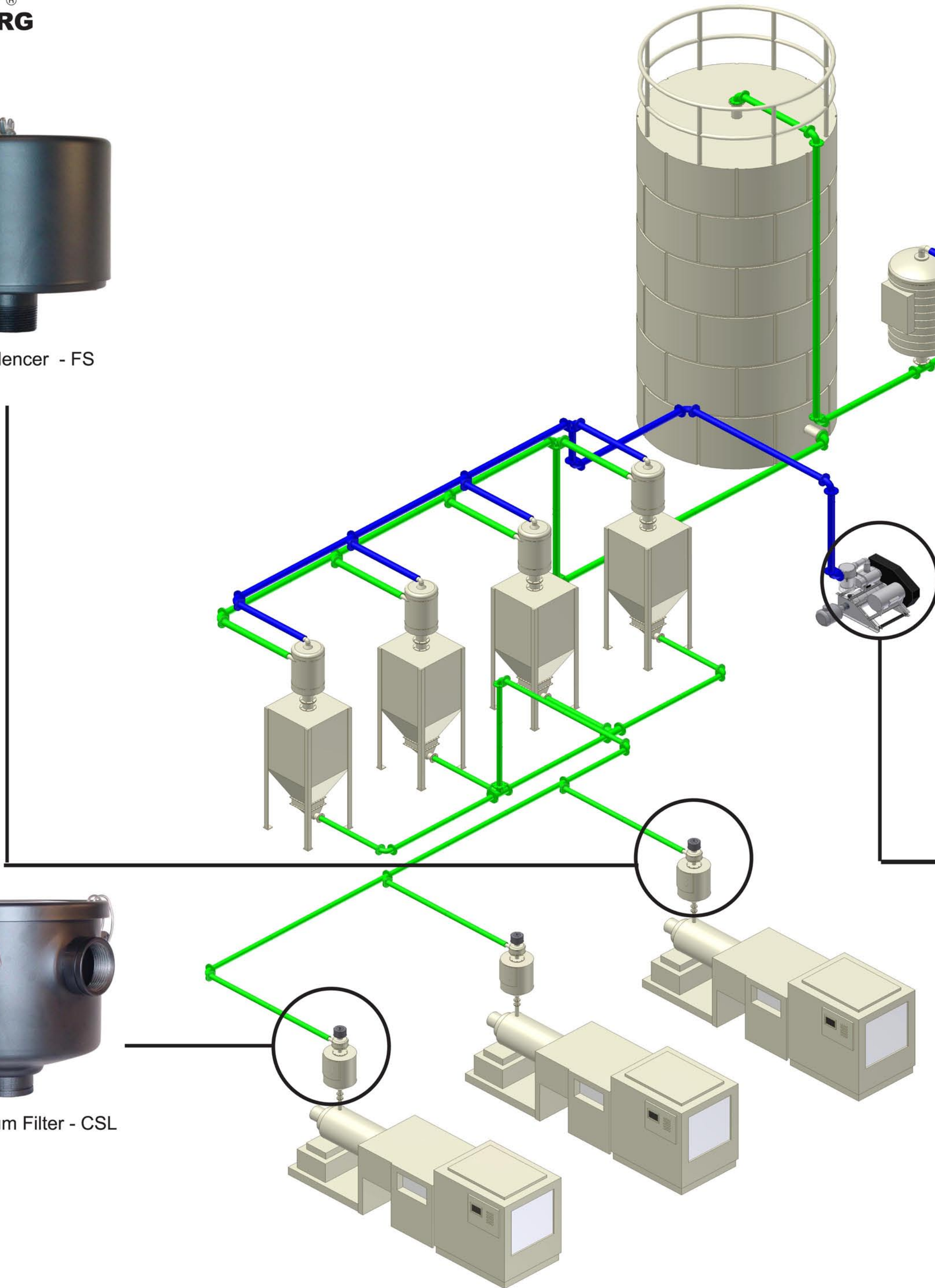
# Solberg Filtration Solutions in Pneumatic Conveying



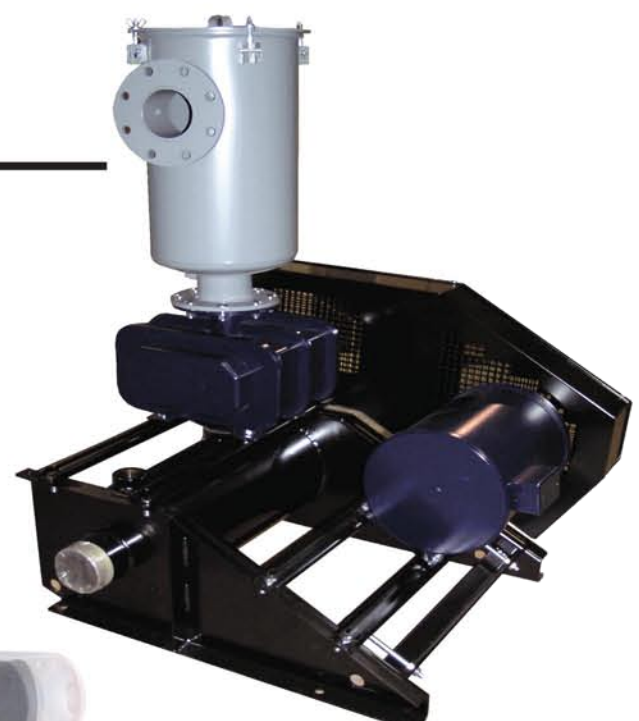
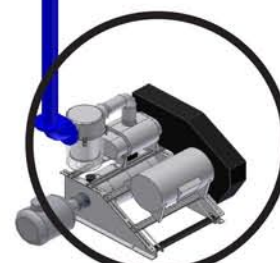
Air Filter Silencer - FS



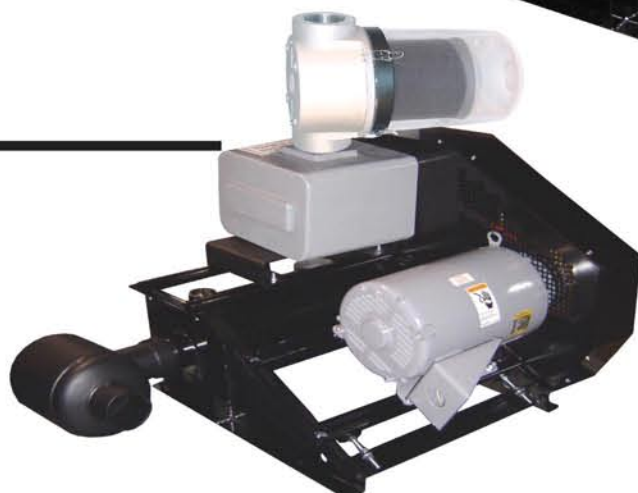
Inlet Vacuum Filter - CSL



BBF with QB



BBF with CSL



BBF with ST

— Pressure

— Vacuum