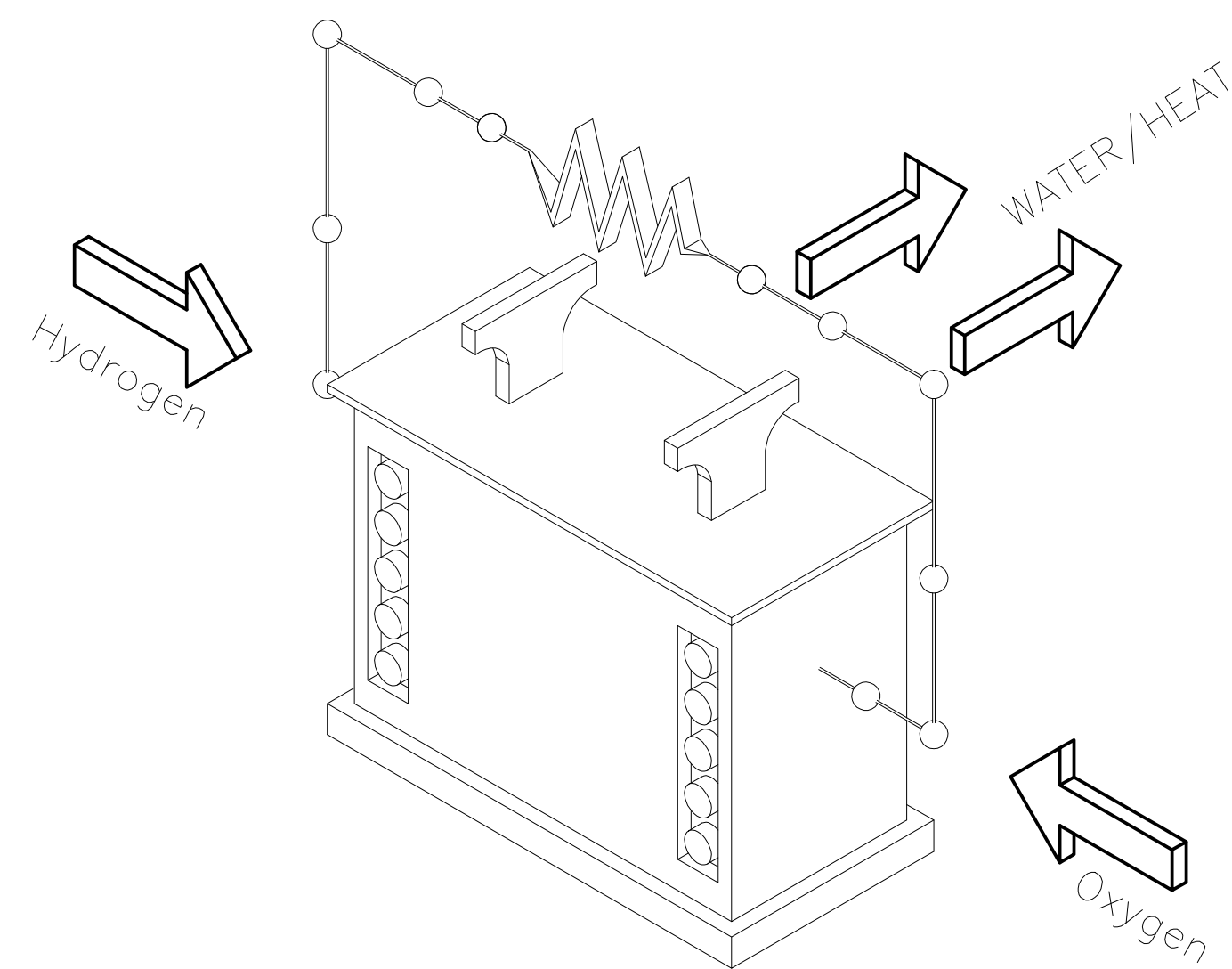




SOLBERG Renewable Energy Filtration Solutions

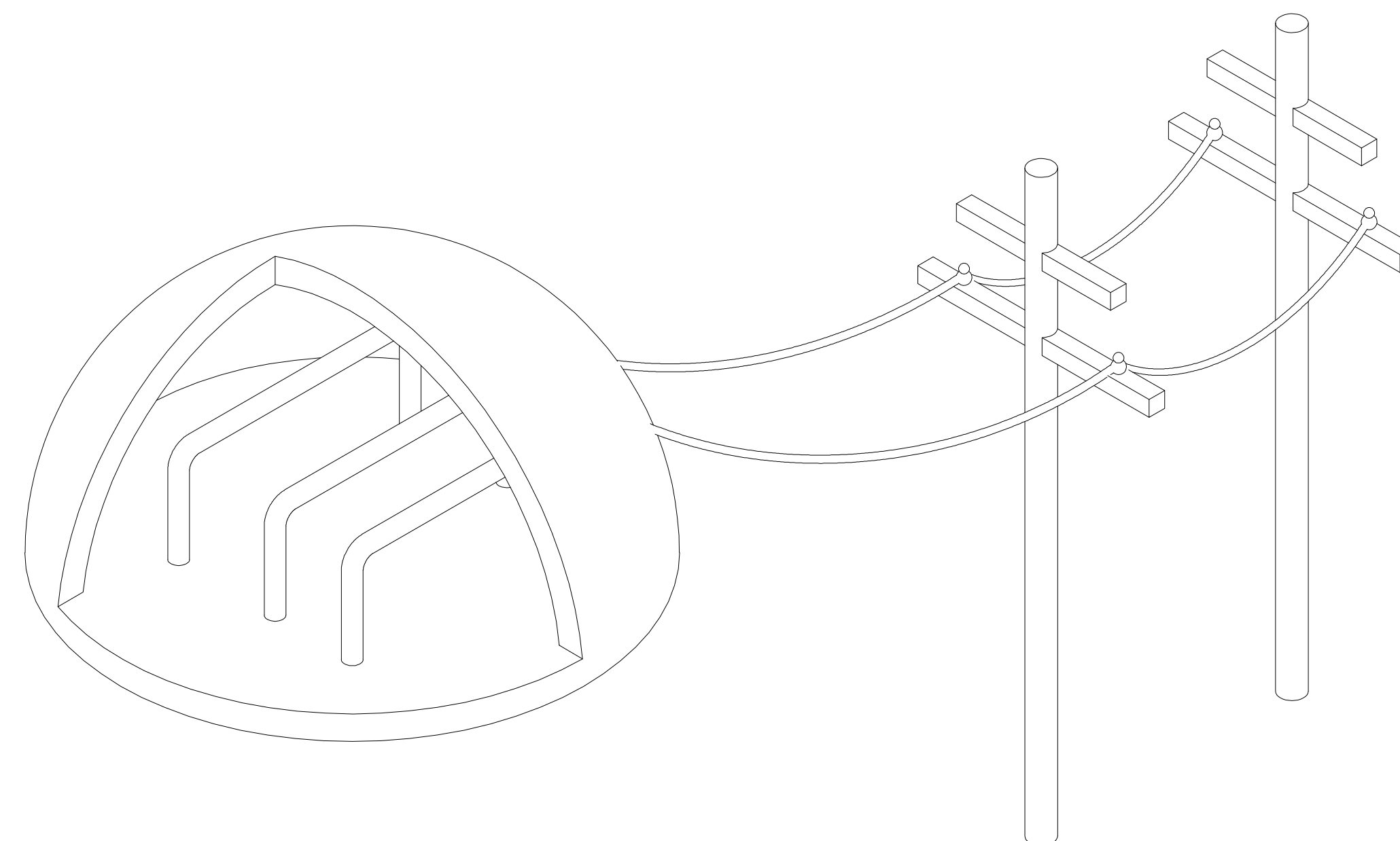
FUEL CELL TECHNOLOGY:

- Leak Detection
- Cathode Air Supply



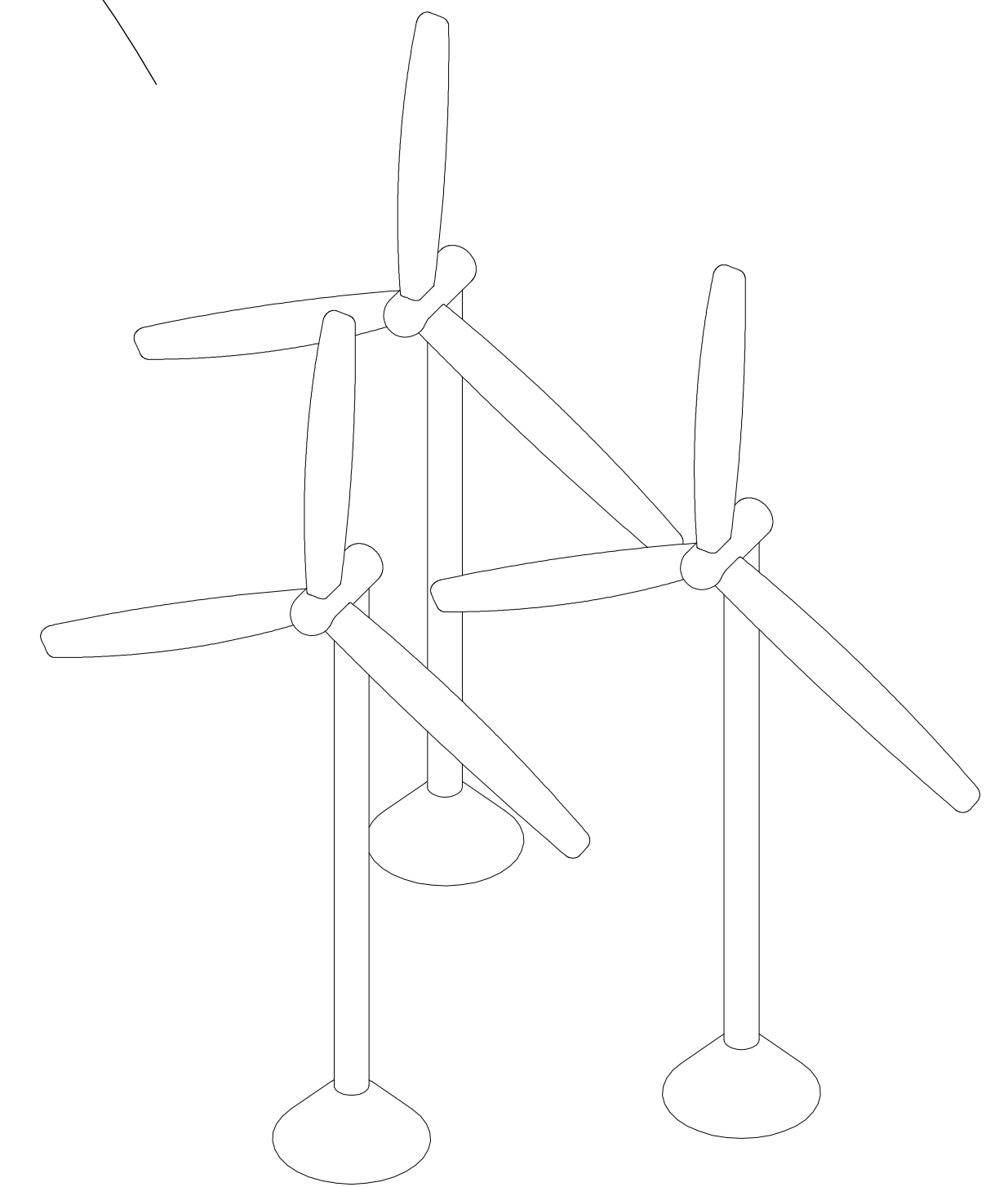
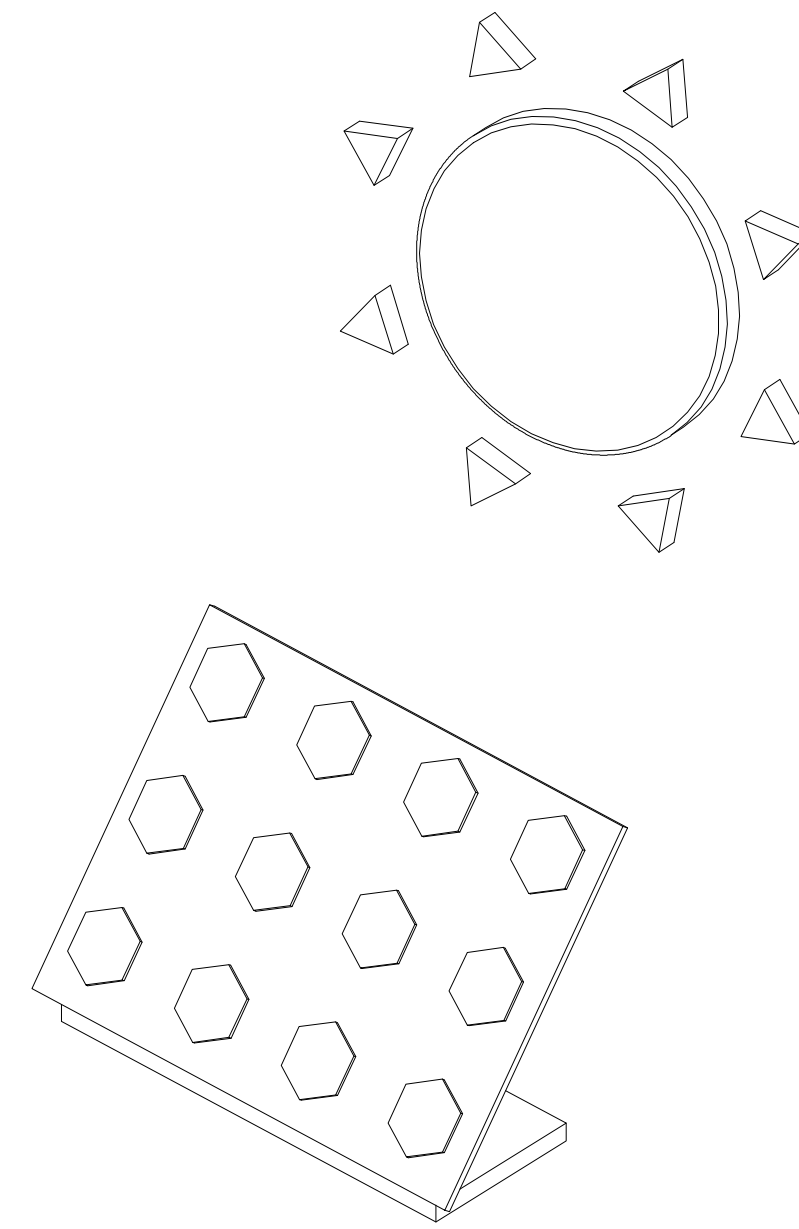
BIO ENERGY:

- Waste Gas
- Biogas
- Fuel Gas Scrubbing
- Capturing Oil Mist Emissions



SOLAR ENERGY:

- Crystal Growing
- Photovoltaic Production
- Diffusion Furnaces
- Laser Optics
- Material Handling



WIND ENERGY:

- Vacuum Lamination
- Vacuum Coating
- Gearbox Breather