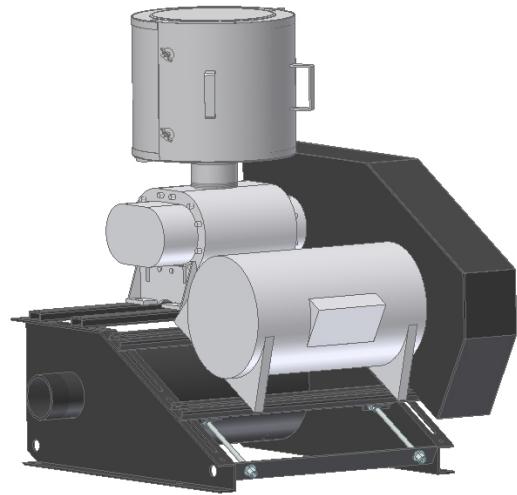


Lateral Access Filter Silencer LQB Series 3" BSPT - DN300 Flg



Features

- Multiple silencing features; reduce and deaden sound
 - Silencing tubes are positioned to maximize attenuation
 - "Quiet band" technology utilizes sound suppression in the design of the housing
- Positive sealing side access door
- Durable carbon steel construction with gray baked enamel finish
- Please contact Solberg for model offerings and availability.

Technical Specifications

- Temp (continuous): min -26°C (-15°F) max 104°C (220°F)
- Filter change out differential: 37-50 mbar over initial ΔP
- Pressure drop graphs available upon request
- Polyester: 99%+ removal efficiency standard to 5 micron
- Paper: 99%+ removal efficiency standard to 2 micron

Benefits

- Easy maintenance due to easy accessible element
- Compact housing design ideal for
 - Blower packages with enclosures
 - Space restricted work areas
- Cost savings due to smaller sound enclosure
- Differentiate your package from traditional
- Designed to be used with Solberg's BBF Series Silencer Base Frame

Options

- 1/8" tap holes
- Pressure drop indicator (See page 3-11)
- Various media for different environments
- Stainless steel construction or epoxy coated finishes
- Special connections

Why Solberg's LQB Series?

LQB Series helps make enclosures feasible and simplifies the maintenance process. Typical filter silencers require service area above the filter housing which increases the height and cost of the enclosure and makes servicing the unit difficult. The LQB Filter Silencer has an easy access side port which simplifies servicing and lowers the cost of your enclosure dramatically.



Examples of LQB Silencer Filter with and without filter element installed. Filter element easily slides out the side port for servicing.