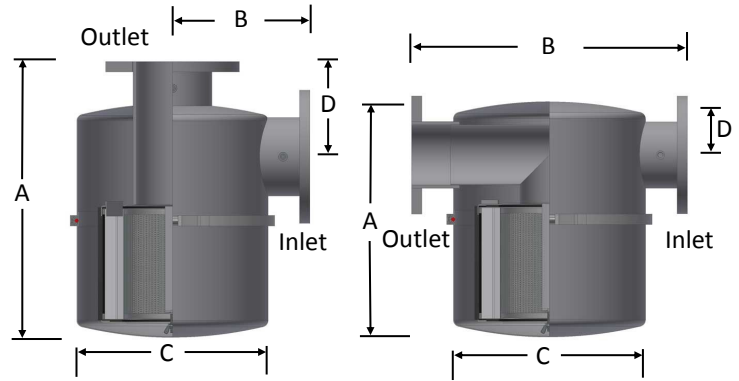




# Heavy Duty Compact Vacuum Filter VS/VL Series 3" – 6" MPT/Flg



## Features

- Clamp style v-band fastening system
- Rugged all steel construction w/powder coat finish
- Positive engagement O-ring seal
- "L" style and straight through configurations
- Inlet & outlet 1/4" gauge taps

## Benefits

- Compact design
- Low pressure drop construction

## Technical Specifications

- Vacuum Rating: Medium vacuum service\*\*
- Hydrostatically tested to 0.5 bar pressure for vacuum seal
- Temp (continuous): min -15°F (-26°C) max 220°F (104°C)
- Filter change out differential: 15-20" H<sub>2</sub>O over initial Δ P
- Polyester: 99%+ removal efficiency standard to 5 micron
- Paper: 99%+ removal efficiency standard to 2 micron

\*\* See Vacuum Filter Technical Data for vacuum service data.

## Options



- Extended bucket for additional holding capacity
- Various filter media
- Material/Finishes: Stainless steel, Epoxy coating
- Custom connections
- Flange faces free of paint
- Internal surfaces free of paint
- Nameplate bracket

### VS Series (Straight Through Configuration)

Inlet & Outlet	Type	Assembly SCFM Rating	Assembly Part Number		Dimensions - inches				Approx. Wt. lbs	Replacement Element Part No.		Element SCFM Rating
			Polyester	Paper	A	B	C	D		Polyester	Paper	
3"	MPT	300	VS-275P-300	VS-274P-300	19 5/8	21	17 1/4	4 1/2	60	275P	274P	1100
4"	MPT	520	VS-275P-400	VS-274P-400	19 5/8	23	17 1/4	4 1/2	60	275P	274P	1100
6"	MPT	1100	VS-275P-600	VS-274P-600	19 5/8	23	17 1/4	4 1/2	60	275P	274P	1100
4"	FLG	520	VS-275P-400F	VS-274P-400F	19 5/8	23	17 1/4	4 1/2	63	275P	274P	1100
6"	FLG	1100	VS-275P-600F	VS-274P-600F	19 5/8	23	17 1/4	4 1/2	63	275P	274P	1100

### VL Series ("L" Style Configuration)

Inlet & Outlet	Type	Assembly SCFM Rating	Assembly Part Number		Dimensions - inches				Approx. Wt. lbs	Replacement Element Part No.		Element SCFM Rating
			Polyester	Paper	A	B	C	D		Polyester	Paper	
3"	MPT	300	VL-275P-300	VL-274P-300	23 1/8	11 1/2	16	8	63	275P	274P	1100
4"	MPT	520	VL-275P-400	VL-274P-400	23 1/8	11 1/2	16	8	63	275P	274P	1100
6"	MPT	1100	VL-275P-600	VL-274P-600	23 1/8	11 1/2	16	8	63	275P	274P	1100
4"	FLG	520	VL-275P-400F	VL-274P-400F	23 1/8	11 1/2	16	8	65	275P	274P	1100
6"	FLG	1100	VL-275P-600F	VL-274P-600F	23 1/8	11 1/2	16	8	65	275P	274P	1100

See Vacuum Filter Technical Data section for sizing guidelines.

Note: Model offerings and design parameters may change without notice. See [www.solbergmfg.com](http://www.solbergmfg.com) for most current offering.