

Two Stage Exhaust Filter

DSV Series

Application

The Solberg DSV product series is an extremely effective vacuum pump discharge filter that offers 2 stages of filtration to remove both oil mist and undesirable odors from the pump's exhaust. The DSV is constructed of a robust epoxy coated steel and offers a compact, straight-through design, with an integrated drain port to easily evacuate any collected contaminants.

This innovative 2 stage design starts with a proprietary coalescing media that cleans the discharge air by capturing and coalescing oil mist. The oil free air is then directed through an adsorptive activated carbon cartridge to remove any residual vapors and odors. The DSV was designed to be easily disassembled and serviced without the use of tools, allowing for extremely fast filter change-out and minimal downtime.

Benefits

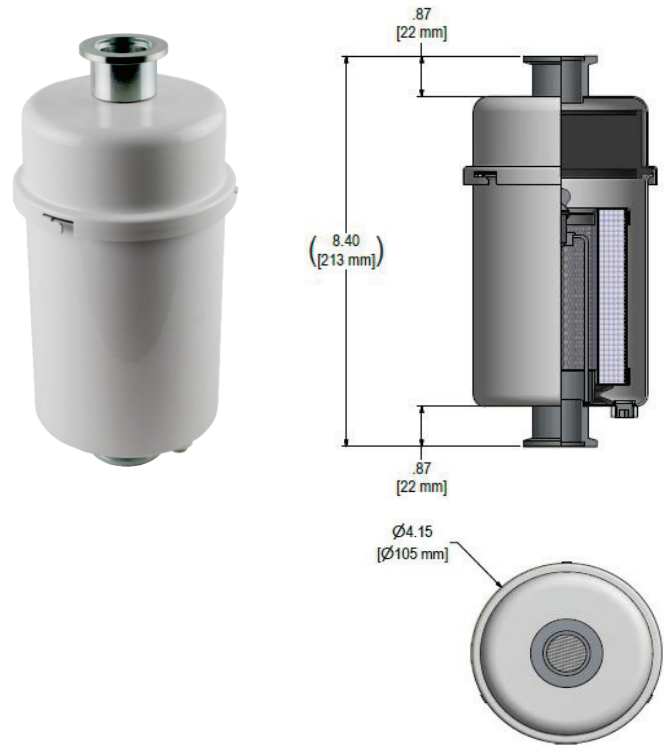
- Oil mist elimination
- Odor adsorption
- Reduce overall maintenance costs
- Contamination removal

Features

- Primary filter captures and coalesces oil entrained in air stream
- Activated carbon element removes offensive odors generated by the process
- Robust design
- Easy serviceability
- Convenient access drain port

Options

- Clamp, centering ring, and o-ring kit available
- Drain kits available upon request



Technical Specifications

- 0.3 micron media; 99.97% efficiency
- Continuous operating temp: 32°F (0°C) to 113°F (45°C)
- 20 m³/hour flow rating
- Maximum back pressure 12 psig (1.8 bar absolute, 1.8 x 10⁵ Pa)
- NW25 connection

Part Number	Description	Approx. Wt. lbs.
DSV-PSG725/AC10-NW25	Two-stage exhaust filter	3
PSG725	Coalescing element replacement	1
AC10	Odor adsorbent element replacement	1

Rev: DSV-US1807K