

Static Vent Oil Mist Eliminators

CVB Series 1" - 6"

Features

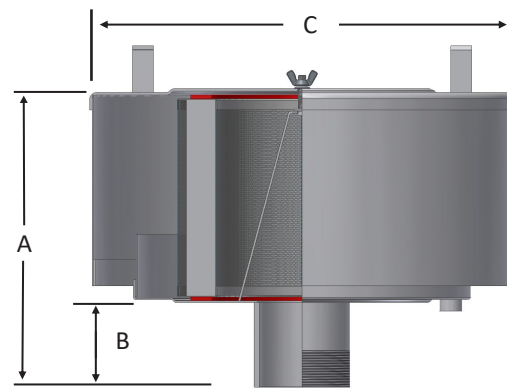
- Eliminates visible vented oil mist emissions
- Corrosive resistant powder coat carbon steel
- Low back pressure wrapped filter element design
- External drain-back

Technical Specifications

- 0.3 micron media; 99.97% efficiency
- Carryover is typically 5 PPM or less (oil challenge dependent)
- Temp (continuous): 68°F (20°C) to 180°F (80°C)

Options

- Stainless steel construction and nonstandard finishes
- Alternative filtration media (wire mesh demister)
- Pleated coalescing elements
- Vacuum assisted style available
- Extensive flow range available upon request



Outlet Size	Type	Assembly Part Number	Reference Only Dimensions - inches			Suggested Service ht. inches	Approx. Weight lbs.	Replacement Element Part No.
			A	B	C			
1"	MPT	CVB-WP848-100	7 ½	2	6 ⅝	5	3	WP848
1 ¼"	MPT	CVB-WP848-125	7 ½	2	6 ⅝	5	3	WP848
1 ½"	MPT	CVB-WP848-150	7 ⅞	2	6 ⅝	5	3	WP848
2"	MPT	CVB-WP850-200	12	2 ½	10 ¼	9	5 ½	WP850
2 ½"	MPT	CVB-WP850-250	11 ⅞	2 ½	10 ¼	9	5 ½	WP850
3"	MPT	CVB-WP274-300	14 ¾	3	20	10	15	WP274
4"	MPT	CVB-WP274-400	16 ⅞	4	20	10	15	WP274
4"	FLG	CVB-WP274-400F	15 ¾	4	20	10	20	WP274
5"	FLG	CVB-WP374-500F	20	4	20	15	38	WP374
6"	FLG	CVB-WP374-600F	21 ⅞	5	20	15	40	WP374

Rev: CVB-US1906K