

# Static Vent Oil Mist Eliminators

## CVB Series 1" - 6"

### Features

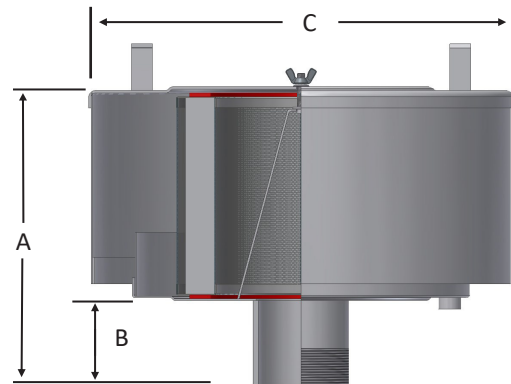
- Eliminates visible vented oil mist emissions
- Corrosive resistant powder coat carbon steel
- Low back pressure wrapped filter element design
- External drain-back

### Technical Specifications

- 0.3 micron media; 99.97% efficiency
- Carryover is typically 5 PPM or less (oil challenge dependent)
- Temp (continuous): 20°C (68°F) to 80°C (180°F)

### Options

- Stainless steel construction and nonstandard finishes
- Alternative filtration media (wire mesh demister)
- Pleated coalescing elements
- Vacuum assisted style available
- Extensive flow range available upon request



Outlet Size	Type	Assembly Part Number	Reference Only Dimensions - mm			Suggested Service ht. mm	Approx. Weight kg	Replacement Element Part No.
			A	B	C			
1"	MPT	CVB-WP848-100	191	51	156	121	1.4	WP848
1 ¼"	BSPT	CVB-WP848-126	191	51	156	121	1.4	WP848
1 ½"	BSPT	CVB-WP848-151	189	51	156	121	1.4	WP848
2"	BSPT	CVB-WP850-201	304	64	260	222	2.5	WP850
2 ½"	BSPT	CVB-WP850-251	302	64	260	222	2.5	WP850
3"	BSPT	CVB-WP274-301	375	76	508	244	6.8	WP274
4"	BSPT	CVB-WP274-401	409	102	508	244	6.8	WP274
DN100	FLG	CVB-WP274-DN100	400	102	508	244	9	WP274
DN125	FLG	CVB-WP374-DN125	508	102	508	370	17	WP374
DN150	FLG	CVB-WP374-DN150	550	127	508	370	18	WP374

Rev: CVB-EU0619K

United Kingdom  
Phone: +44 (0) 1902 798499  
UKsales@solbergmfg.com

Belgium  
Phone: +32 3 774 52 11  
BEsales@solbergmfg.com

Germany  
Phone: +49 9129 145 3902  
vertrieb@solbergmfg.com

Slovakia  
Phone: +421 (0) 48 41 33 251  
predaj@solbergmfg.com

All model offerings and design parameters are subject to change without prior notice.  
Contact your representative or Solberg for the most current information.

[www.solbergmfg.com](http://www.solbergmfg.com)