

Medium to High Vacuum Filtration

WL Series ISO Flanges NW16 - NW40, K63 - K100

Overview

Solberg's WL Series Vacuum Filters are designed for a variety of industrial and semicon processes where rapid thermal and/or pressure cycles create harsh operating conditions. Ideal for medium-high vacuum applications that utilize vacuum furnaces or deposition tools, the WL series comes standard with a variety of vacuum rated flange options and replaceable filter elements that offer superior protection and longevity for the vacuum system.

Housings in this series are **100% helium leak tested** to ensure vacuum integrity and verify leak rates down to 1×10^{-5} mbar L/s.

Features

- Stainless steel ISO flange connections
- Seamless drawn housings
- Corrosive resistant carbon steel construction
- Powder coat finish (black models)
- O-ring housing seal
- Stainless steel torsion clips

Technical Specifications

- Vacuum leak rate: 1×10^{-5} mbar L/sec
(verified by helium leak test)
- Temp (continuous): min -26°C (-15°F) max 104°C (220°F)
- Filter change out differential: 37-50 mbar over initial ΔP
- Polyester: 99%+ removal efficiency standard to 5 micron
- Paper: 99%+ removal efficiency standard to 2 micron

Options



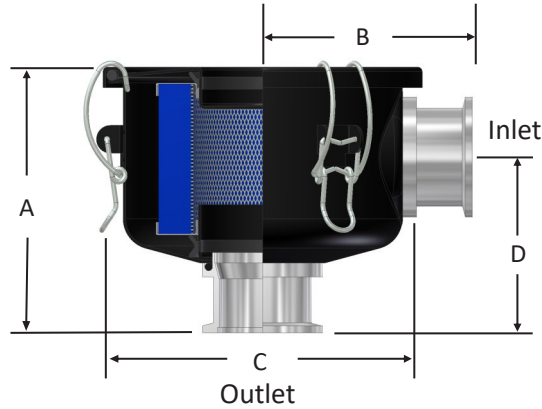
- Filter media options available to meet strict process requirements: PTFE, PTFE Glass, SS mesh, and more
- Activated alumina, activated carbon, and zeolite available for foreline trapping and other applications
- Stainless steel (select models)
- Contact factory for larger sizes



Rev: EU2402C2

www.solbergmfg.com

All model offerings and design parameters are subject to change without prior notice.
Contact your representative or visit www.solbergmfg.com for the most current information.



SS ISO Flange w/Black Filter Assembly Finish

ISO Flg Inlet & Outlet	Assembly m ³ /hr Rating	Assembly Part Number		Dimensions - mm				Suggested Service ht. mm	Approx. Weight (kg)	Replacement Element Part No.		Element m ³ /hr Rating
		Polyester	Paper	A	B	C	D			Polyester	Paper	
NW16	39	WL-825-NW16B	WL-824-NW16B	103	66	95	58	68	0.4	825	824	42
NW25	42	WL-825-NW25B	WL-824-NW25B	103	66	95	58	68	0.4	825	824	42
NW25	59	WL-843-NW25B	WL-842-NW25B	117	86	146	70	70	1	843	842	93
NW40	93	WL-843-NW40B	WL-842-NW40B	126	96	146	80	70	1	843	842	93
NW40	136	WL-849-NW40B	WL-848-NW40B	188	118	187	121	121	2	849	848	195
K63	357	WL-851-K63B	WL-850-K63B	296	155	222	165	222	7	851	850	493
K100	885	WL-239-K100B	WL-238-K100B	395	221	337	220	254	10	239™	238™	969

SS ISO Flange w/Electroless Nickel Filter Assembly Finish

ISO Flg Inlet & Outlet	Assembly m ³ /hr Rating	Assembly Part Number		Dimensions - mm				Suggested Service ht. mm	Approx. Weight (kg)	Replacement Element Part No.		Element m ³ /hr Rating
		Polyester	Paper	A	B	C	D			Polyester	Paper	
NW16	39	WL-825-NW16EN	WL-824-NW16EN	103	66	95	58	68	0.4	825	824	42
NW25	42	WL-825-NW25EN	WL-824-NW25EN	103	66	95	58	68	0.4	825	824	42
NW25	59	WL-843-NW25EN	WL-842-NW25EN	117	86	146	70	70	1	843	842	93
NW40	93	WL-843-NW40EN	WL-842-NW40EN	126	96	146	80	70	1	843	842	93
NW40	136	WL-849-NW40EN	WL-848-NW40EN	188	118	187	121	121	2	849	848	195
K63	357	WL-851-K63EN	WL-850-K63EN	296	155	222	165	222	7	851	850	493
K100	885	WL-239-K100EN	WL-238-K100EN	395	221	337	220	254	10	239™	238™	969

Rated flows are determined based upon atmospheric conditions, for exact sizing or larger flows, please contact factory.

*See Vacuum Filter Technical Data for vacuum service data and sizing guidelines.

Rev: EU2402C2



SOLBERG®

All model offerings and design parameters are subject to change without prior notice.
Contact your representative or visit www.solbergmfg.com for the most current information.

Medium to High Vacuum Filtration

WL Series ISO Flanges K100 - K320

Overview

Solberg's WL Series Vacuum Filters are designed for a variety of industrial and semicon processes where rapid thermal and/or pressure cycles create harsh operating conditions. Ideal for medium-high vacuum applications that utilize vacuum furnaces or deposition tools, the WL series comes standard with a variety of vacuum rated flange options and replaceable filter elements that offer superior protection and longevity for the vacuum system.

Housings in this series are **100% helium leak tested** to ensure vacuum integrity and verify leak rates down to 1×10^{-5} mbar L/s.

Features

- ISO-K stainless steel flanges standard
- K200 housings and larger have domed lid with hinge to minimize deflection
- NW10 differential ports for accurate vacuum ΔP readings
- Corrosive resistant black powder coat carbon steel
- Painted o-ring groove, free of scratches
- Lifting lugs and leg brackets standard

Technical Specifications

- Rated vacuum leak rate of 1×10^{-5} mbar L/sec or better (verified by helium leak test)
- Temp (continuous): min -26°C (-15°F) max 104°C (220°F)
- Filter change out differential: 37-50 mbar over initial ΔP
- Polyester: 99%+ removal efficiency standard to 5 micron
- Paper: 99%+ removal efficiency standard to 2 micron

Options

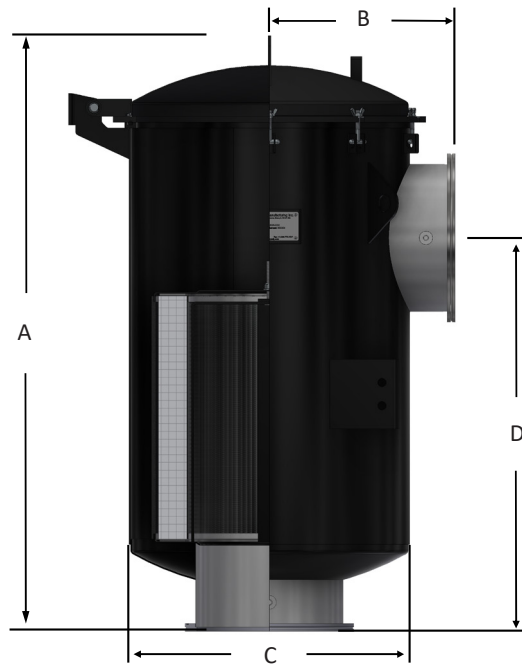


- Filter media options available to meet strict process requirements: PTFE, PTFE Glass, SS mesh, and more
- Activated alumina, activated carbon, and zeolite available for foreline trapping and other applications
- Stainless steel (select models)



K320 configuration

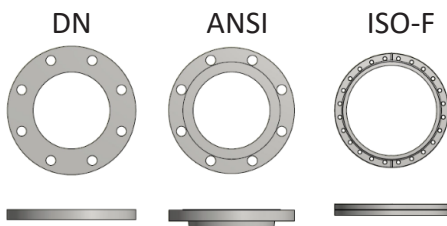
Rev: EU2402C2



ISO-K Inlet & Outlet	Assembly m ³ /hr Rating	Assembly Part Number		Dimensions - mm				Suggested Service ht. mm	Replacement Element Part No.		Element m ³ /hr Rating
		Polyester	Paper	A	B	C	D		Polyester	Paper	
K100	885	WL-235P-K100	WL-234P-K100	695	229	355	470	244	235P™	234P™	970
K100	885	WL-335P-K100	WL-334P-K100	737	229	311	470	368	335P™	334P™	1360
K160	1870	WL-275P-K160	WL-274P-K160	767	305	470	521	244	275P™	274P™	1870
K160	1870	WL-375P-K160	WL-374P-K160	749	305	470	521	368	375P™	374P™	2550
K200	3060	WL-377P-K200	WL-376P-K200	1011	356	514	648	368	377P™	376P™	3101
K250	4930	WL-385P-K250	WL-384P-K250	1303	432	616	889	368	385P™	384P™	5610
K320	7935	WL-485P-K320	WL-484P-K320	1308	406	686	864	546	485P™	484P™	8000
K320	8415	WL-685P-K320	WL-384P(2)-K320	1613	432	686	1143	724	685P™	384P™(2)	11213

Rated flows are determined based upon atmospheric conditions, for exact sizing please contact factory.
Special configurations available upon request.

Other Flange Types Available:



Rev: EU2402C2

