



Inlet Vacuum Filters

www.solbergmfg.com

Note: Please read the maintenance instructions given by the OEM for the machinery first. The OEM's manual should be adhered to in order to protect the equipment. Solberg Manufacturing, Inc has made every effort to make sure that these instructions are accurate but is not responsible for any typos, slight variations or for human errors that may occur.

Solberg Manufacturing, Inc., 1151 Ardmore Itasca, IL 60143 USA
Ph: 630.773.1363 Fax: 630.773.0727 Email: sales@solbergmfg.com Web: www.solbergmfg.com

Maintenance Manual

Inlet Vacuum Filters

CONTENTS

Section A

| | |
|--------------------|-------|
| Introduction | pg. 3 |
|--------------------|-------|

Section B

General Information

| | |
|---|-------|
| 1. Identification of Solberg Inlet Vacuum Filters | pg. 3 |
| 2. Filtration Rules of Thumb | pg. 4 |
| 3. Element Specifications | pg. 6 |
| 4. Element Cleaning | pg. 7 |
| 5. Installation | pg. 8 |

Section C

| | |
|-----------------------------------|-------|
| Maintenance Recommendations | pg. 9 |
|-----------------------------------|-------|

Section D

Replacement Parts List

| | |
|---------------------|--------|
| 1. CSL Series | pg.10 |
| 2. WL Series | pg.16 |
| 2. CT Series | pg. 21 |
| 4. ST Series | pg. 29 |

**For Further Information Please Call:*

630-773-1363



Section A

INTRODUCTION

The purpose of this manual is instruction on the proper assembly and care of Solberg inlet vacuum filters.

WARNING

This manual must be read and thoroughly understood before using and caring for this vacuum filter. Failure to comply could result in explosion, product/system contamination or personal injury.

This manual should be used as a supplement to the user's understanding of the proper care needed to maintain a safe and dependable vacuum filter. It is the responsibility of the user to interpret and explain all instructions to persons who do not read or understand English BEFORE they are allowed to maintain and use this filter.

This manual should be readily available to all operators responsible for operation and maintenance of the inlet vacuum filters.

We thank you for selecting products from Solberg Manufacturing, Inc. We are confident that our superior filter designs will meet your application requirements.

Section B

GENERAL INFORMATION

1. Identification of Solberg Inlet Vacuum Filters

All Solberg inlet vacuum filters should have an identification label/nameplate that gives the following information:

**Assembly Model #
Replacement Element #**

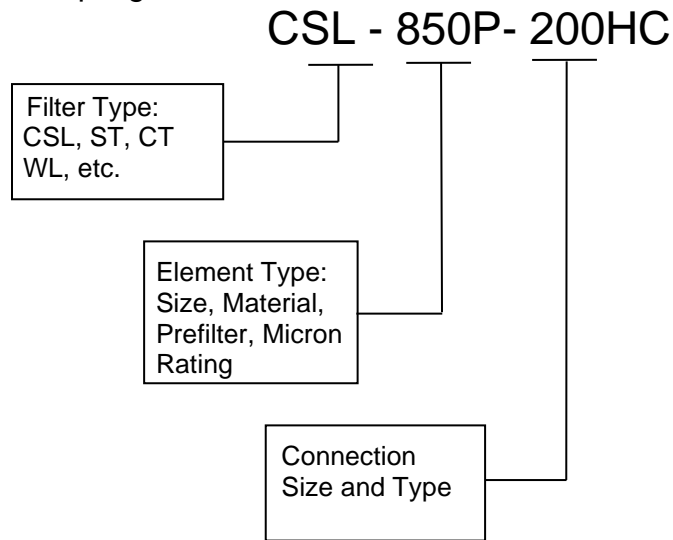
(The exception is OEM supplied units. In this case, please enter the OEM part numbers in Table 1.)

Fill in the actual nameplate data from your new Solberg inlet vacuum filter(s):

| No. | Filter Model Number | Replacement Element | Initial Delta P Readings |
|-----|---------------------|---------------------|--------------------------|
| 1 | | | |
| 2 | | | |
| 3 | | | |
| 4 | | | |
| 5 | | | |

Table 1

The model number designates the filter type, the original element configuration and housing connection size. For example, the following part number identifies the filter as being a 'CSL' design filter with an 850 element with prefilter and 2" NPSC half coupling connection:



2. Filtration Rules of Thumb

General: For peak output performance from a compressor, blower, vacuum pump, engine, or any other machine that consumes air, one must have clean, unrestricted air. Proper filtration can help stabilize the working environment within rotating equipment even when the external conditions may be quite severe. A critical component in creating the right working conditions is filter sizing. With the properly sized filter, equipment will run smoothly over its entire expected operating life.

A major factor in filtration and filter sizing is air velocity through the filter media. Generally, the slower the velocity of air through a media the higher the filter efficiency and, conversely, the lower the pressure drop. Therefore, the primary goal in filter sizing is to optimize the velocity of air through the media (sometimes called face velocity).



Rule of Thumb #1: Always begin with the filter cartridge requirements when sizing a filter. Once the appropriate element has been selected then move on to the housing requirements.

Rule of Thumb #2: Always ask or specify a filter based on a micron rating **with filtration efficiencies**. As an example, stating a requirement for a 1-micron filter is misleading because no efficiency rating has been specified. A 1-micron filter at 95% efficiency may be less efficient than a 5-micron filter at 99% efficiency. For proper air system performance in light and industrial duty environments, a filter with a minimum of 99% filtration efficiency at 5 microns is required.

Rule of Thumb #3: Size your filter correctly by understanding the impact air velocity through a media has on efficiency and pressure drop. Maintain the suggested Air-to-Media ratios listed below based on the external environment listings and Filtration efficiency needs.

| Filtration Efficiency Requirements (99%+ efficiency) | Environmental Conditions | Air to Media Ratio | |
|---|--|------------------------|--|
| | | | |
| Industrial Grade 2-micron Paper | Industrial Duty (clean, office/warehouse-like) | 30 CFM/ft ² | (549m ³ /h)/m ² |
| | Severe Duty (workshop, factory-like) | 15 CFM/ft ² | (274.5m ³ /h)/m ² |
| | Extreme Duty (Foundry, Construction-like) | 10 CFM/ft ² | (183m ³ /h)/m ² |
| Industrial Grade 5-micron Polyester | Industrial Duty (clean, office/warehouse-like) | 65 CFM/ft ² | (1189.5m ³ /h)/m ² |
| | Severe Duty (workshop, factory-like) | 40 CFM/ft ² | (732m ³ /h)/m ² |
| | Extreme Duty (Foundry, Construction-like) | 25 CFM/ft ² | (457.5m ³ /h)/m ² |
| Industrial Grade 1-micron Polyester | Severe Duty (Foundry, Construction-like) | 25 CFM/ft ² | (457.5m ³ /h)/m ² |
| Industrial Grade 0.3-micron HEPA Glass @ 99.97% Efficiency | Industrial Duty (Pre-filtered Applications) | 9 CFM/ft ² | (164.7m ³ /h)/m ² |
| | Severe Duty (workshop, factory-like) | 7 CFM/ft ² | (128m ³ /h)/m ² |
| | Extreme Duty (Foundry, Construction-like) | 5 CFM/ft ² | (91.5m ³ /h)/m ² |

Table 2



Rule of Thumb #4: Pressure drop is also caused by the dirt holding capacity of the element. As the element fills up with dirt, the pressure drop increases. It is important to document the pressure drop across a given filter when it is new and then clean or replace it when the pressure drop increases by 10" to 15" / 250-280mm H₂O over the original reading.

Rule of Thumb #5: The inlet connection greatly influences the overall pressure drop of the filter system. To minimize the restriction contributed by an inlet filter, a velocity of 6,000 ft/min (10200m³/h) or less is suggested through the outlet pipe. The table below lists the suggested flows based on pipe size:

| Pipe Size (inches) | Max Airflow | | Pipe Size (inches) | Max Airflow | |
|--------------------|-------------|----------------------|--------------------|-------------|-----------------------|
| 1/2" | 10 CFM | 17m ³ /h | 2 1/2" | 195 CFM | 332m ³ /h |
| 3/4" | 20 CFM | 34m ³ /h | 3" | 300 CFM | 510m ³ /h |
| 1" | 35 CFM | 60m ³ /h | 4" | 520 CFM | 884m ³ /h |
| 1 1/4" | 60 CFM | 102m ³ /h | 5" | 800 CFM | 1360m ³ /h |
| 1 1/2" | 80 CFM | 136m ³ /h | 6" | 1,100 CFM | 1870m ³ /h |
| 2" | 135 CFM | 230m ³ /h | | | |

Table 3 *Note: This information is for general use only. A qualified engineer must properly design each system.

3. Element Specifications

Temperature Range: -15° to 220°F / -26° to 105°C

Filter Change-Out Differential: 10" to 15" / 250-380mm H₂O Over Initial Delta P

| Media | Micron Rating |
|--------------------------|---------------------------|
| Standard Paper | 99+% @ 2 micron |
| Standard Polyester | 99+% @ 5 micron |
| "S" Series Wire Mesh | Epoxy Coated Wire Mesh |
| "Z" Series Polyester | 99+% @ 1 micron |
| "HE" Series HEPA | 99.97% @ 0.3 microns |
| "U" Series Polyester | 99+% @ 25 micron |
| "W" Series Polyester | 99+% @ 100 micron |
| "S2" Series | Stainless Steel Wire Mesh |
| "AC" & "ACP" Series | N/A |
| "Y" Series Polypropylene | 99+% @ 10 micron |

Table 4

Temperature Range: -15° to 385°F / -26° to 196°C

Filter Change-Out Differential: 10" to 15" / 250-380mm H₂O Over Initial Delta P

| Media | Micron Rating |
|-----------------------------------|------------------|
| "MX" & "MXD" Series – Nomex Cloth | 99+% @ 10 micron |

Table 5



4. Element Cleaning - Inlet Filtration

Solberg elements should be cleaned or replaced, once the pressure drop reaches 10 to 15-inches water column (250 - 380mm WC) above the initial pressure drop of the installation.

The decision to clean the element rather than replace it is left to the discretion of the operator. Any damage which results from by-pass or additional pressure drop created by element cleaning is the sole responsibility of the operator.

WARNING

The overall performance of a filter element is altered once cleaned.

The initial pressure drop after cleaning will be greater than the original, clean pressure drop of the element.

After each subsequent cleaning, the initial pressure drop will continue to increase.

Under all circumstances, the initial pressure drop of the element needs to be maintained at less than 15-inches water column (380mm WC).

Cleaned elements that exceed 15-inches water column (380mm WC) at start-up should be replaced with new elements.

With many types of equipment, the maximum pressure drop allowed will be dictated by the ability of the equipment to perform to its rated capacity. Under all circumstances, the operator should avoid exceeding the manufacturer's recommended maximum pressure drop for their specific equipment.

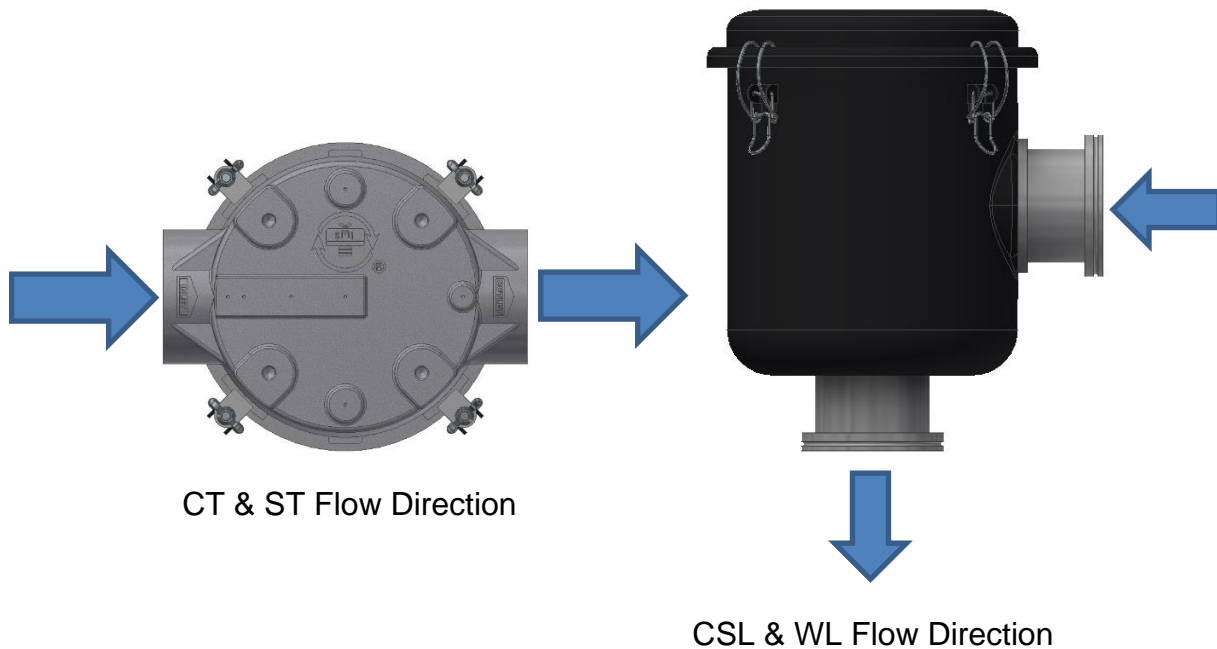
- A. **Polyester Element.** The polyester element may be washed in warm soapy water, vacuumed, gently blown out or replaced. The element should be dry before reinstallation. The element should be replaced after a maximum of three cleanings.
- B. **Paper Element.** The paper element may be lightly blown with low pressure air. It is disposable and in most cases should be replaced with a new element.

- C. **Polyurethane Prefilter.** The prefilter may be washed as a sponge or replaced to give the element a longer service life.
- D. **Epoxy Coated Wire Mesh and Stainless Steel Wire Mesh Elements:** Cleaning instructions similar to polyester, except mild solvents may be used.
- E. **Activated Carbon Element.** Not cleanable
- F. **Polypropylene Element.** Cleaning instructions similar to polyester
- G. **Nomex Cloth Element.** Cleaning instructions similar to polyester

If you are not confident that the integrity of the element was maintained during cleaning, it is recommended that a new element be installed. Also, spare parts such as gaskets, wing nuts and washers can be supplied upon request.

5. Installation.

The drawing of the filter should be referenced before installation in order to ensure the unit is installed properly. The inlet and outlet should be identified on the unit as a label or as a physical design feature of the unit.



Section C

MAINTENANCE RECOMMENDATIONS

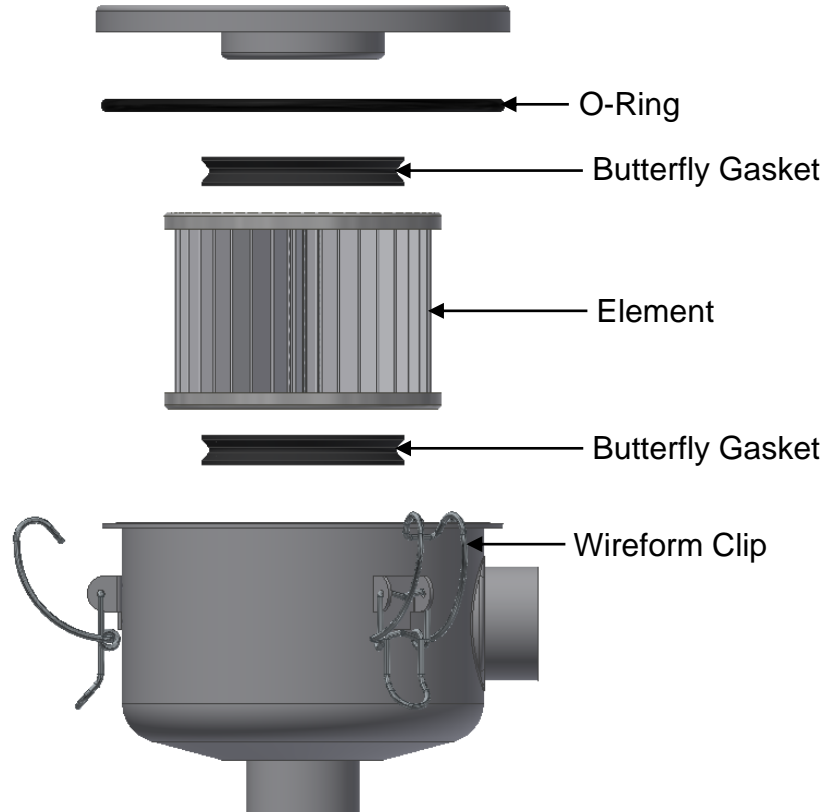
1. Pressure drop readings are recommended to have an effective vacuum filter. Always document initial pressure drop during start-up when element is clean. Replacement cartridge is needed when system experiences 10" to 15" / 250-380mm H₂O higher pressure drop above the initial reading.
2. Always check replacement cartridge gaskets to ensure they are adhered uniformly along the end caps during handling. If not, contact Solberg Manufacturing, Inc. immediately. Do not modify or change from Solberg specified parts!
3. Always check inlets/outlets, element base and its components when replacing element to ensure cleanliness. Wipe clean if necessary.
4. Operate only when a proper seal exists.



Section D

REPLACEMENT PARTS LIST

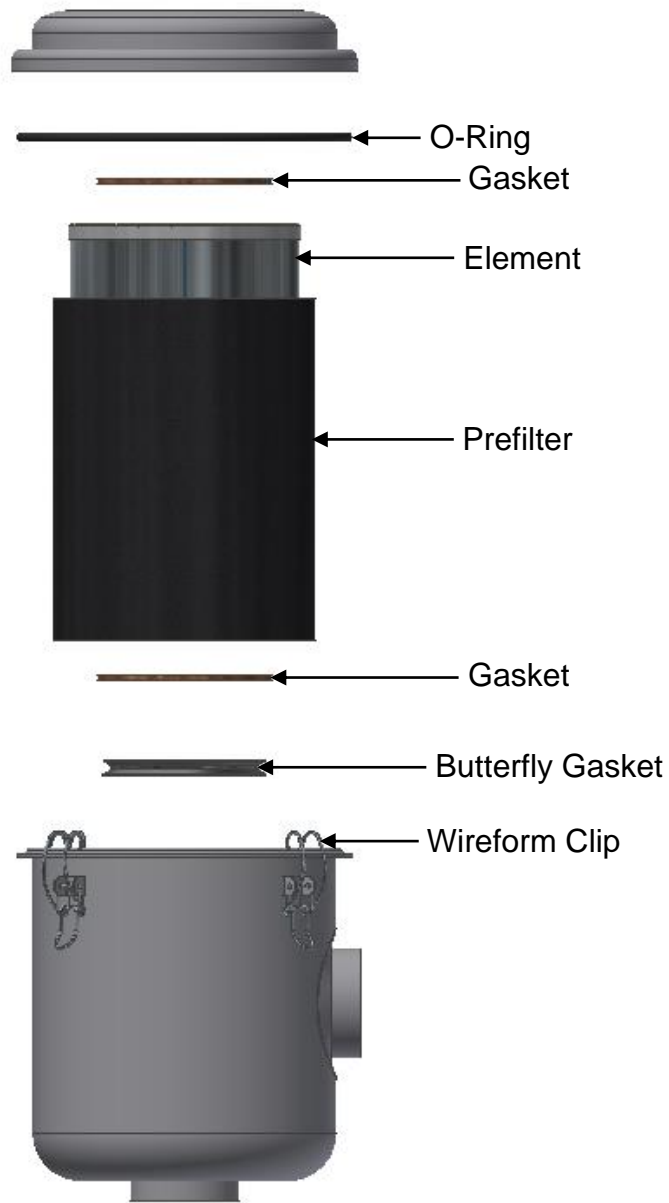
1. CSL Series



CSL Series 3/8" – 1 1/2" Compact "L" Style Vacuum Filter
Available Replacement Parts

| Available Replacement Part by Product Number | | | | | |
|--|-----------|-----------|---------|------------------|----------------|
| Product # | Element** | Prefilter | O-Ring | Butterfly Gasket | Wire-form Clip |
| CSL-824-XXX | 824 | N/A | 9240825 | 9110810 | 5080110+36 |
| CSL-825-XXX | 825 | N/A | 9240825 | 9110810 | 5080110+36 |
| CSL-842-XXX | 842 | N/A | 9241050 | 9110900 | 5080110+36 |
| CSL-843-XXX | 843 | N/A | 9241050 | 9110900 | 5080110+36 |
| CSL-848-XXX | 848 | 9010400 | 9241250 | 9111000 | 5080110+36 |
| CSL-849-XXX | 849 | 9010400 | 9241250 | 9111000 | 5080110+36 |

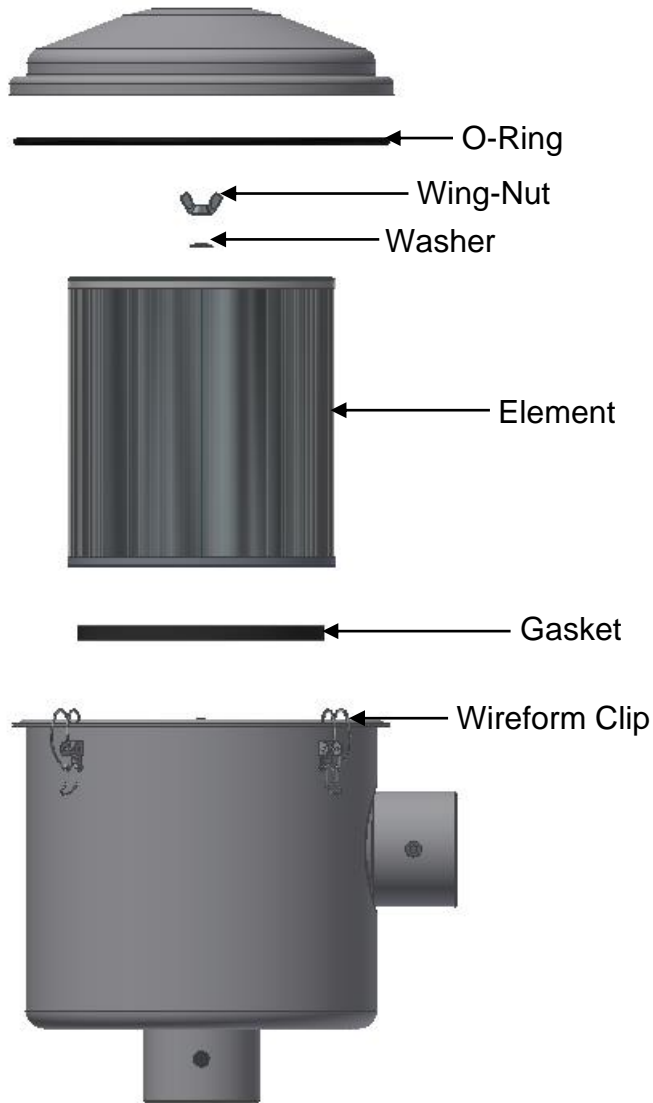
**Note: *Even element numbers are Paper elements and odd element numbers are Polyester elements.*



CSL Series 2" – 2 1/2" Compact "L" Style Vacuum Filter
Available Replacement Parts

| Available Replacement Part by Product Number | | | | | | |
|--|-----------|-----------|---------|---------|------------------|----------------|
| Product # | Element** | Prefilter | Gasket | O-Ring | Butterfly Gasket | Wire-form Clip |
| CSL-850-XXX | 850 | 9011560 | 9111200 | 9241400 | 9111100 | 5080110+36 |
| CSL-851-XXX | 851 | 9011560 | 9111200 | 9241400 | 9111100 | 5080110+36 |

**Note: Even element numbers are Paper elements and odd element numbers are Polyester elements.

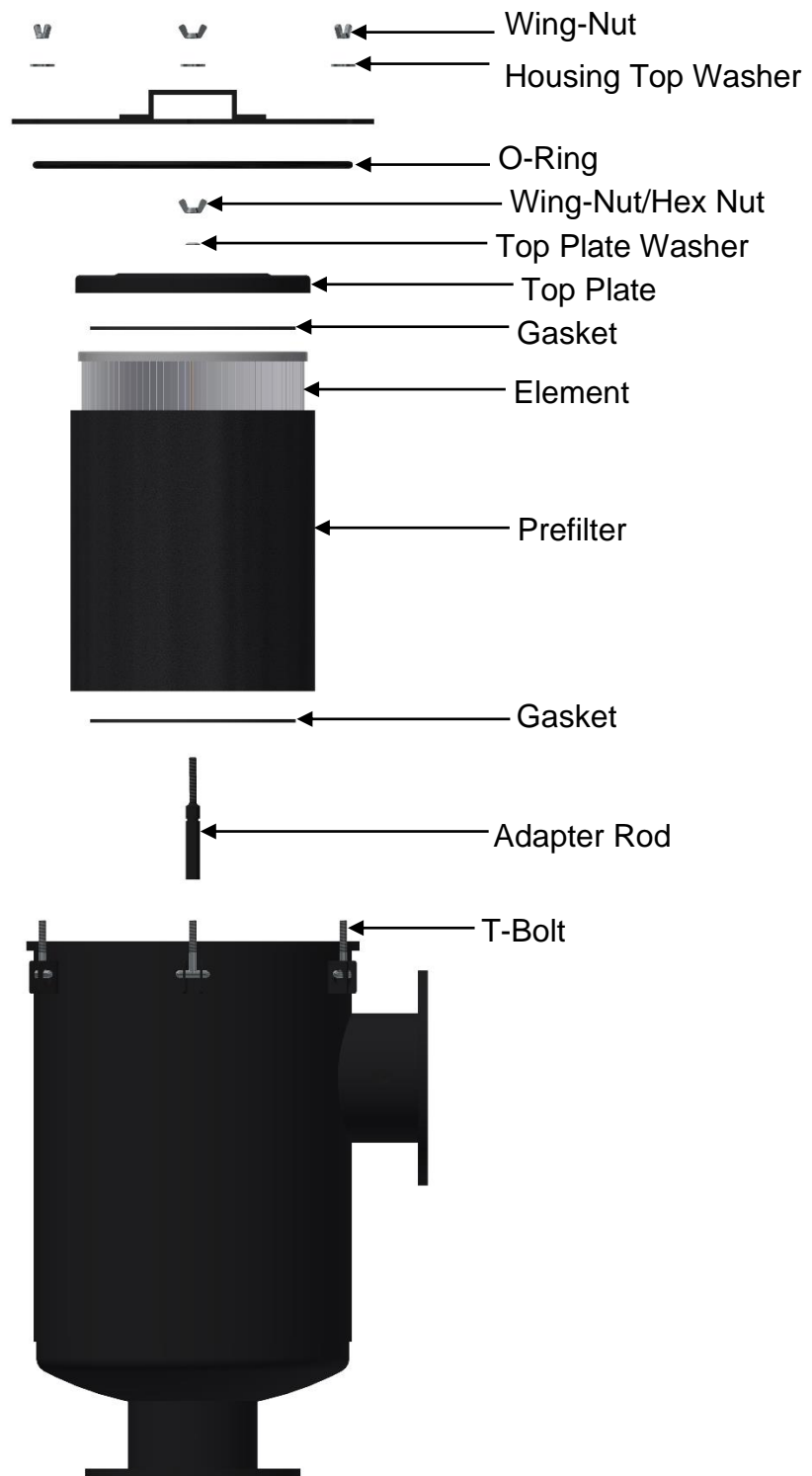


CSL Series 3" – 4" Compact "L" Style Vacuum Filter
Available Replacement Parts

| Available Replacement Part by Product Number | | | | | | | |
|--|-----------|-----------|---------|---------|----------|---------|----------------|
| Product # | Element** | Prefilter | Gasket | Washer | Wing-Nut | O-Ring | Wire-form Clip |
| CSL-238-XXX | 238 | *** | 9110155 | 5020150 | 5030600 | 9241610 | 5080110+36 |
| CSL-239-XXX | 239 | *** | 9110155 | 5020150 | 5030600 | 9241610 | 5080110+36 |

****Note:** Even element numbers are Paper elements and odd element numbers are Polyester elements.

*****Consult Solberg Manufacturing regarding prefilter information for the 238 and 239 elements.**



CSL Series "L" Style Vacuum Filter
 Available Replacement Parts

Page 13

Solberg Manufacturing, Inc., 1151 Ardmore Itasca, IL 60143 USA
 Ph: 630.773.1363 Fax: 630.773.0727 Email: sales@solbergmfg.com Web: www.solbergmfg.com



Available Replacement Part by Product Number

| Product # | Element** | Prefilter | Gasket | O-Ring | Top Plate |
|------------------------|------------------|------------------|---------------|---------------|------------------|
| CSL-234P-XXX | 234 | 9010800 | N/A | 9241500 | 1030700+10 |
| CSL-235P-XXX | 235 | 9010800 | N/A | 9241500 | 1030700+10 |
| CSL-334P-XXX | 334 | 9011150 | N/A | 9241500 | 1030700+10 |
| CSL-335P-XXX | 335 | 9011150 | N/A | 9241500 | 1030700+10 |
| CSL-244P-XXX | 244 | 9010900 | N/A | 9241750 | 1030900+10 |
| CSL-245P-XXX | 245 | 9010900 | 9110100 | 9241750 | 1030900+10 |
| CSL-274P-XXX | 274 | 9011000 | 9110200 | 9241750 | 1031000+10 |
| CSL-275P-XXX | 275 | 9011000 | 9110200 | 9241750 | 1031000+10 |
| CSL-374P-XXX | 374 | 9011100 | 9110200 | 9241750 | 1031000+10 |
| CSL-375P-XXX | 375 | 9011100 | 9110200 | 9241750 | 1031000+10 |
| CSL-376P-XXX | 376 | 9011200 | 9110400 | 9241900 | 1031100+10 |
| CSL-377P-XXX | 377 | 9011200 | 9110400 | 9241900 | 1031100+10 |
| CSL-384P(2)-XXX | 384(2) | 9011300 | 9110500 | 9242000 | 1031300+10 |
| CSL-685P-XXX | 685 | 9011500 | 9110500 | 9242000 | 1031300+10 |
| CSL-484P(2)-XXX | 484(2) | 9011400 | 9110500 | 9242000 | 1031300+10 |
| CSL-485P(2)-XXX | 485(2) | 9011400 | 9110500 | 9242000 | 1031300+10 |

****Note:** *Even element numbers are Paper elements and odd element numbers are Polyester elements.*

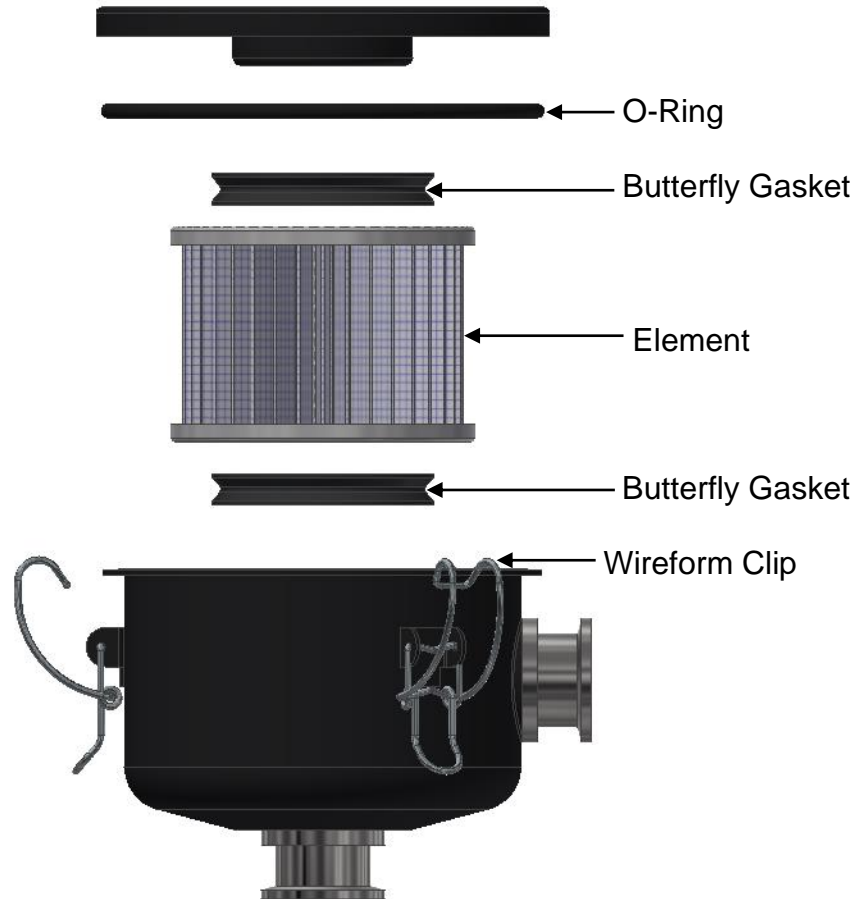


Available Replacement Part by Product Number Continued

| Product # | Adapter Rod | Housing Top Washer | Top Plate Washer | Wing-Nut | T-Bolt | Hex Nut |
|------------------------|--------------------|---------------------------|-------------------------|-----------------|---------------|----------------|
| CSL-234P-XXX | N/A | 5040350 | 5020150 | 5030600 | 5011725 | N/A |
| CSL-235P-XXX | N/A | 5040350 | 5020150 | 5030600 | 5011725 | N/A |
| CSL-334P-XXX | 2511701+30 | 5040350 | 5020150 | 5030600 | 5011725 | N/A |
| CSL-335P-XXX | 2511701+30 | 5040350 | 5020150 | 5030600 | 5011725 | N/A |
| CSL-244P-XXX | N/A | 5040350 | 5020150 | 5030600 | 5011725 | N/A |
| CSL-245P-XXX | N/A | 5040350 | 5020150 | 5030600 | 5011725 | N/A |
| CSL-274P-XXX | N/A | 5040350 | 5020150 | 5030600 | 5011725 | N/A |
| CSL-275P-XXX | N/A | 5040350 | 5020150 | 5030600 | 5011725 | N/A |
| CSL-374P-XXX | 2511701+30 | 5040350 | 5020150 | 5030600 | 5011725 | N/A |
| CSL-375P-XXX | 2511701+30 | 5040350 | 5020150 | 5030600 | 5011725 | N/A |
| CSL-376P-XXX | N/A | 5040350 | 5020200 | 5030600 | 5011725 | 5011401 |
| CSL-377P-XXX | N/A | 5040350 | 5020200 | 5030600 | 5011725 | 5011401 |
| CSL-384P(2)-XXX | N/A | 5040350 | 5020200 | 5030600 | 5011725 | 5011401 |
| CSL-685P-XXX | N/A | 5040350 | 5020200 | 5030600 | 5011725 | 5011401 |
| CSL-484P(2)-XXX | N/A | 5040350 | 5020200 | 5030600 | 5011725 | 5011401 |
| CSL-485P(2)-XXX | N/A | 5040350 | 5020200 | 5030600 | 5011725 | 5011401 |



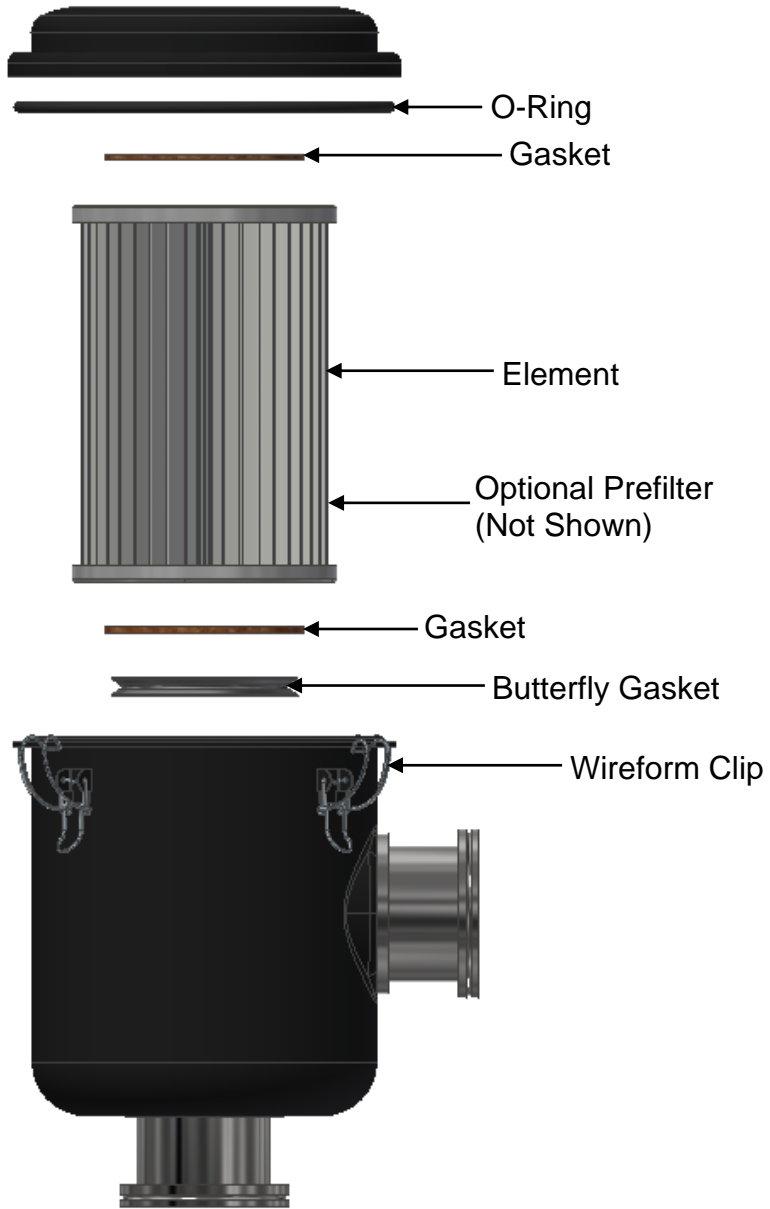
2. WL Series



WL Series 824, 825, 842, 843, 848, and 849 Compact “L” Style Vacuum Filter
Available Replacement Parts

| Available Replacement Part by Product Number | | | | | |
|--|-----------|-----------|---------|------------------|----------------|
| Product # | Element** | Prefilter | O-Ring | Butterfly Gasket | Wire-form Clip |
| WL-824-XXX | 824 | N/A | 9240825 | 9110810 | 5080110+36 |
| WL-825-XXX | 825 | N/A | 9240825 | 9110810 | 5080110+36 |
| WL-842-XXX | 842 | N/A | 9241050 | 9110900 | 5080110+36 |
| WL-843-XXX | 843 | N/A | 9241050 | 9110900 | 5080110+36 |
| WL-848-XXX | 848 | 9010400 | 9241250 | 9111000 | 5080110+36 |
| WL-849-XXX | 849 | 9010400 | 9241250 | 9111000 | 5080110+36 |

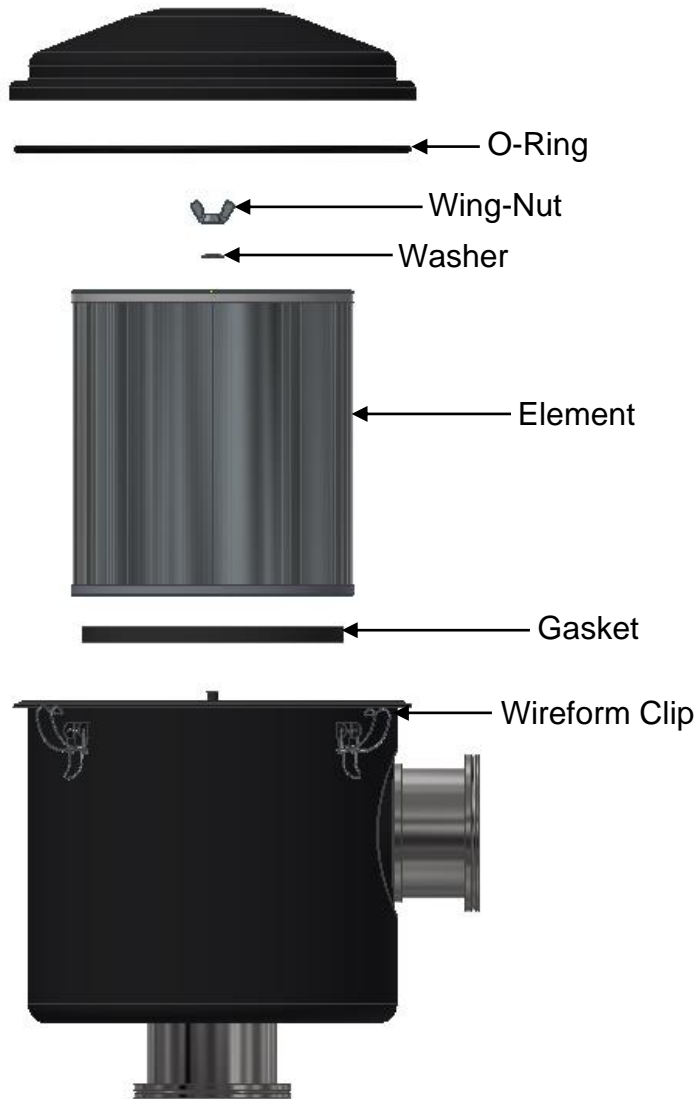
**Note: Even element numbers are Paper elements and odd element numbers are Polyester elements.



WL Series 850 & 851 Compact "L" Style Vacuum Filter
Available Replacement Parts

| Available Replacement Part by Product Number | | | | | | |
|--|-----------|-----------|---------|---------|------------------|----------------|
| Product # | Element** | Prefilter | Gasket | O-Ring | Butterfly Gasket | Wire-form Clip |
| WL-850-XXX | 850 | 9011560 | 9111200 | 9241400 | 9111100 | 5080110+36 |
| WL-851-XXX | 851 | 9011560 | 9111200 | 9241400 | 9111100 | 5080110+36 |

**Note: *Even element numbers are Paper elements and odd element numbers are Polyester elements.*

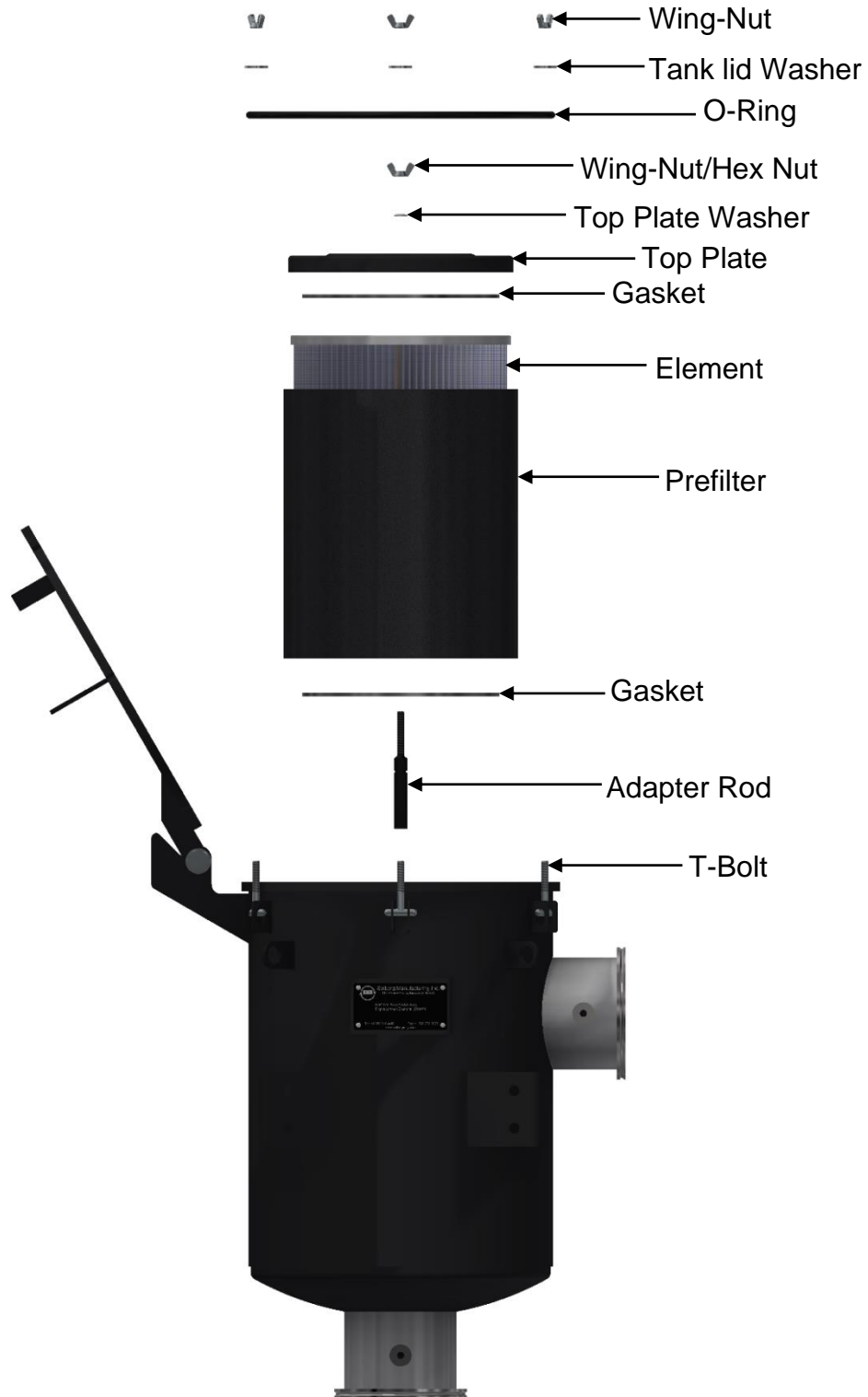


WL Series 238 & 239 Compact "L" Style Vacuum Filter
Available Replacement Parts

| Available Replacement Part by Product Number | | | | | | | |
|--|-----------|-----------|---------|---------|----------|---------|----------------|
| Product # | Element** | Prefilter | Gasket | Washer | Wing-Nut | O-Ring | Wire-form Clip |
| WL-238-XXX | 238 | *** | 9110155 | 5020150 | 5030600 | 9241610 | 0003453+36 |
| WL-239-XXX | 239 | *** | 9110155 | 5020150 | 5030600 | 9241610 | 0003453+36 |

****Note:** Even element numbers are Paper elements and odd element numbers are Polyester elements.

*****Consult Solberg Manufacturing regarding prefilter information for the 238 and 239 elements.**



WL Series "L" Style Vacuum Filter
 Available Replacement Parts

Page 19

Solberg Manufacturing, Inc., 1151 Ardmore Itasca, IL 60143 USA
 Ph: 630.773.1363 Fax: 630.773.0727 Email: sales@solbergmfg.com Web: www.solbergmfg.com



SOLBERG

Available Replacement Part by Product Number

| Product # | Element** | Prefilter | Gasket | O-Ring | Top Plate |
|-------------|-----------|-----------|---------|---------|------------|
| WL-274P-XXX | 274 | 9011000 | 9110200 | 9241750 | 1031000+10 |
| WL-275P-XXX | 275 | 9011000 | 9110200 | 9241750 | 1031000+10 |
| WL-374P-XXX | 374 | 9011100 | 9110200 | 9241750 | 1031000+10 |
| WL-375P-XXX | 375 | 9011100 | 9110200 | 9241750 | 1031000+10 |
| WL-376P-XXX | 376 | 9011200 | 9110400 | 9241900 | 1031100+10 |
| WL-377P-XXX | 377 | 9011200 | 9110400 | 9241900 | 1031100+10 |
| WL-384P-XXX | 384 | 9011300 | 9110500 | 9242000 | 1031300+10 |
| WL-385P-XXX | 385 | 9011300 | 9110500 | 9242000 | 1031300+10 |

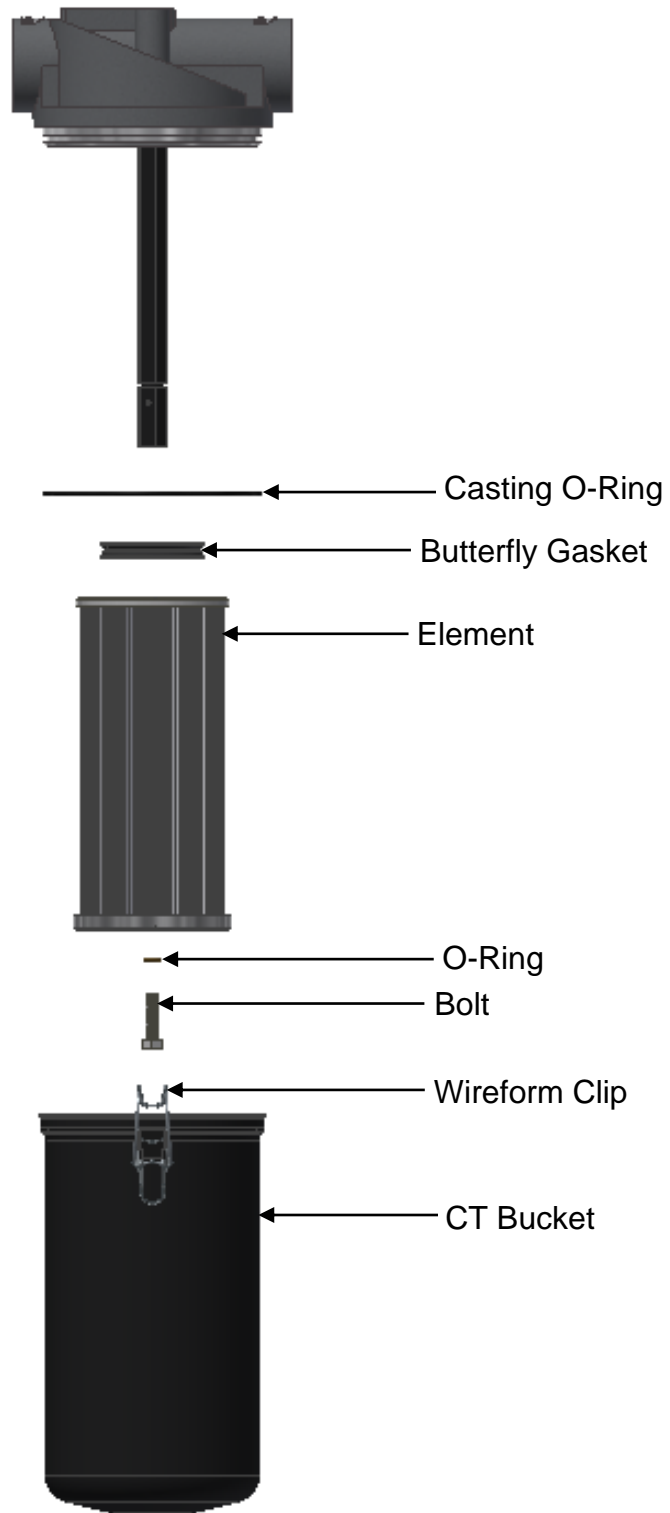
***Note: Even element numbers are Paper elements and odd element numbers are Polyester elements.*

Available Replacement Part by Product Number Continued

| Product # | Adapter Rod | Tank lid Washer | Top Plate Washer | Wing-Nut | T-Bolt | Hex Nut |
|-------------|-------------|-----------------|------------------|----------|---------|---------|
| WL-274P-XXX | N/A | 5040350 | 5020150 | 5030600 | 5011725 | N/A |
| WL-275P-XXX | N/A | 5040350 | 5020150 | 5030600 | 5011725 | N/A |
| WL-374P-XXX | 2511701+30 | 5040350 | 5020150 | 5030600 | 5011725 | N/A |
| WL-375P-XXX | 2511701+30 | 5040350 | 5020150 | 5030600 | 5011725 | N/A |
| WL-376P-XXX | N/A | 5040350 | 5020200 | 5030600 | 5011702 | 5011401 |
| WL-377P-XXX | N/A | 5040350 | 5020200 | 5030600 | 5011702 | 5011401 |
| WL-384P-XXX | N/A | 5040350 | 5020200 | 5030600 | 5011725 | 5011401 |
| WL-385P-XXX | N/A | 5040350 | 5020200 | 5030600 | 5011725 | 5011401 |



3. CT Series



CT Series 1" – 1 1/2" "T" Style Vacuum Filter
Available Replacement Parts

Page 21

Solberg Manufacturing, Inc., 1151 Ardmore Itasca, IL 60143 USA
Ph: 630.773.1363 Fax: 630.773.0727 Email: sales@solbergmfg.com Web: www.solbergmfg.com

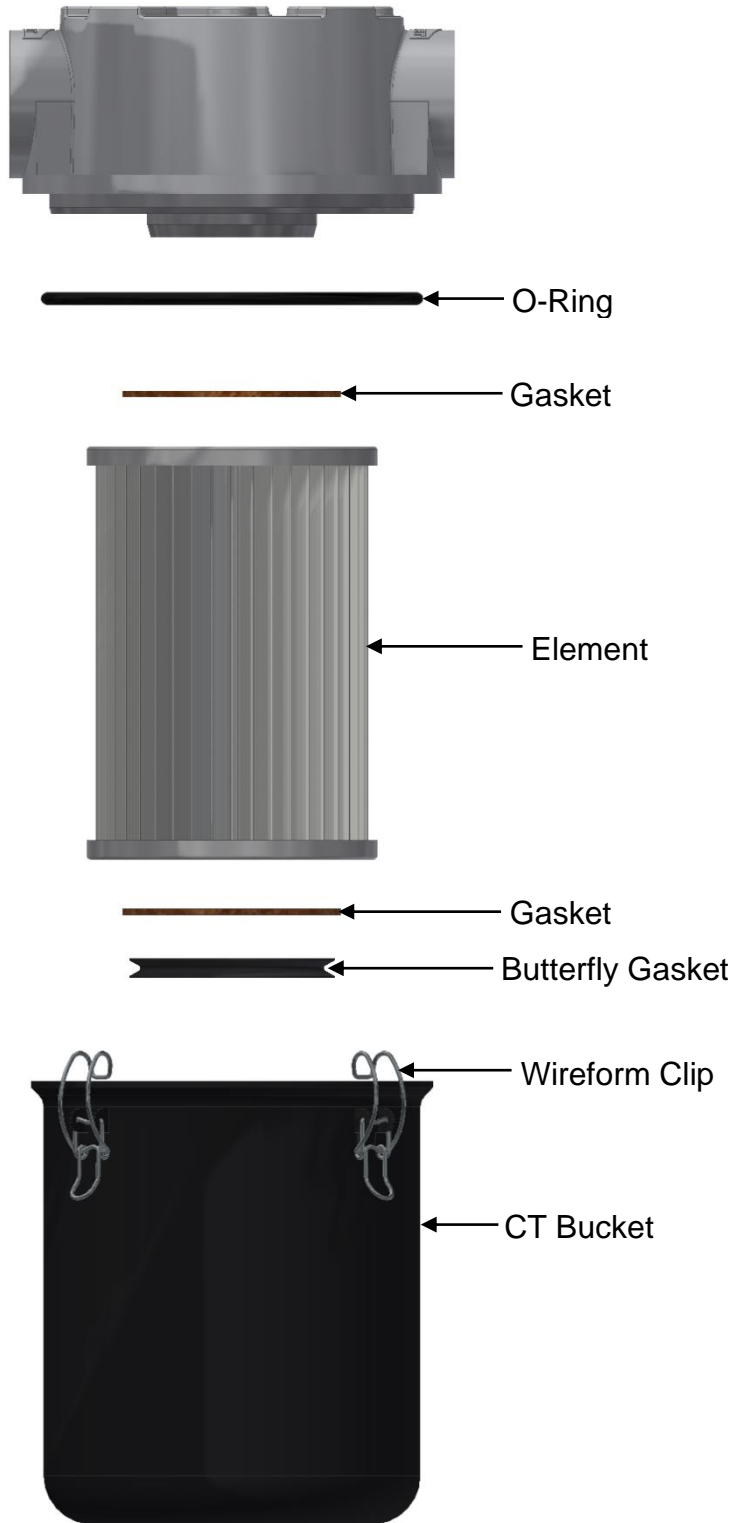


| Available Replacement Part by Product Number | | | | |
|--|-----------|------------------|---------|---------|
| Product # | Element** | Butterfly Gasket | O-Ring | Bolt |
| CT-896-XXX | 896 | 9110900 | 9240030 | 5060250 |
| CT-897-XXX | 897 | 9110900 | 9240030 | 5060250 |

****Note:** Even element numbers are Paper elements and odd element numbers are Polyester elements.

| Available Replacement Part by Product Number | | | |
|--|----------------|----------------|---------------|
| Product # | Casting O-Ring | CT Bucket | Wireform Clip |
| CT-896-XXX | 9262K375 | 300-1050241+10 | 5080110+36 |
| CT-897-XXX | 9262K375 | 300-1050241+10 | 5080110+36 |





CT Series 2" – 2 1/2" "T" Style Vacuum Filter
 Available Replacement Parts

Page 23

Solberg Manufacturing, Inc., 1151 Ardmore Itasca, IL 60143 USA
 Ph: 630.773.1363 Fax: 630.773.0727 Email: sales@solbergmfg.com Web: www.solbergmfg.com



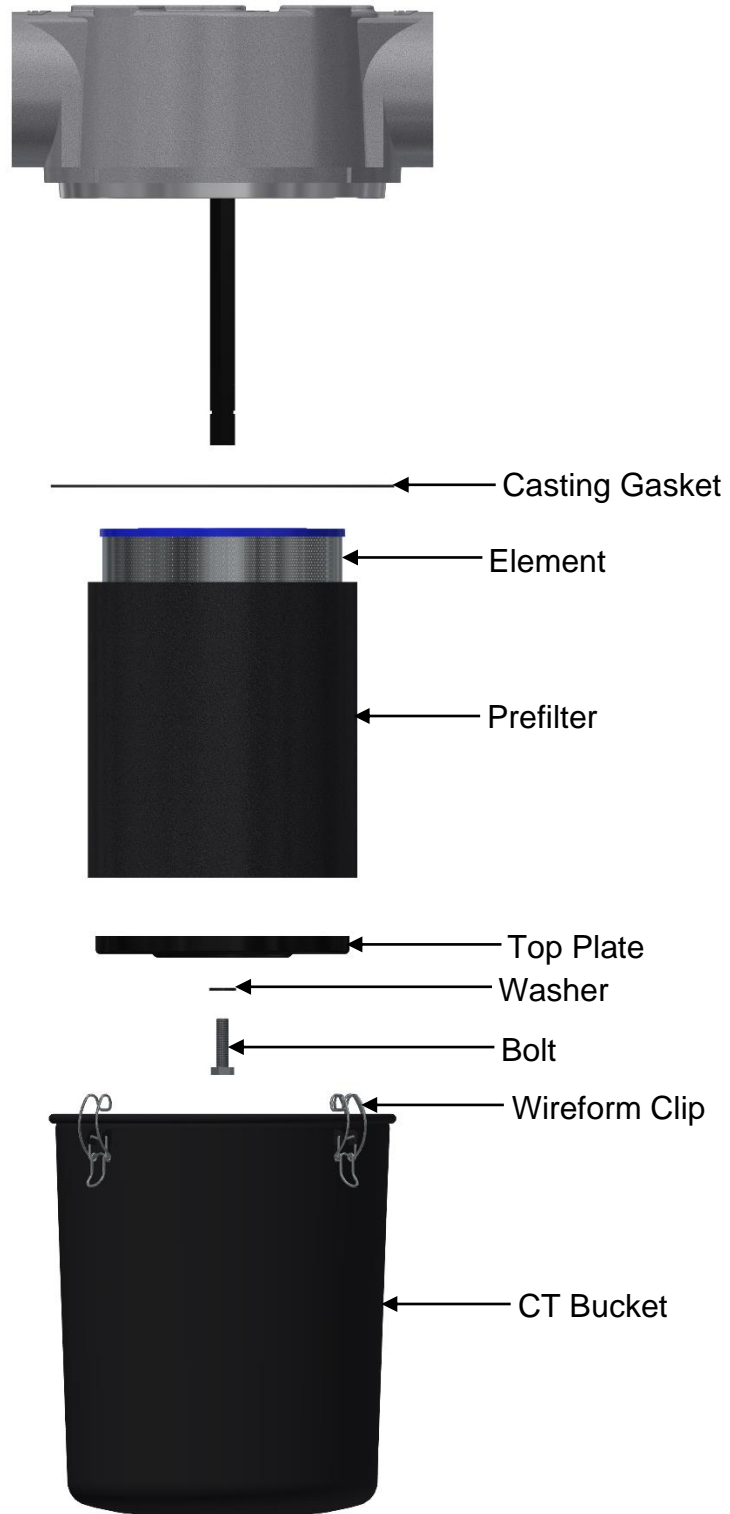
SOLBERG

| Available Replacement Part by Product Number | | | |
|--|-----------|---------|------------------|
| Product # | Element** | Gasket | Butterfly Gasket |
| CT-850-XXX | 850 | 9111200 | 9111100 |
| CT-851-XXX | 851 | 9111200 | 9111100 |

****Note:** *Even element numbers are Paper elements and odd element numbers are Polyester elements.*

| Available Replacement Part by Product Number | | | |
|--|----------------|----------------|---------------|
| Product # | Casting O-Ring | CT Bucket | Wireform Clip |
| CT-850-XXX | 9241260 | 200-1050800+10 | 5080110+36 |
| CT-851-XXX | 9241260 | 200-1050800+10 | 5080110+36 |





CT Series 3" – 4" "T" Style Vacuum Filter
Available Replacement Parts

Page 25

Solberg Manufacturing, Inc., 1151 Ardmore Itasca, IL 60143 USA
Ph: 630.773.1363 Fax: 630.773.0727 Email: sales@solbergmfg.com Web: www.solbergmfg.com



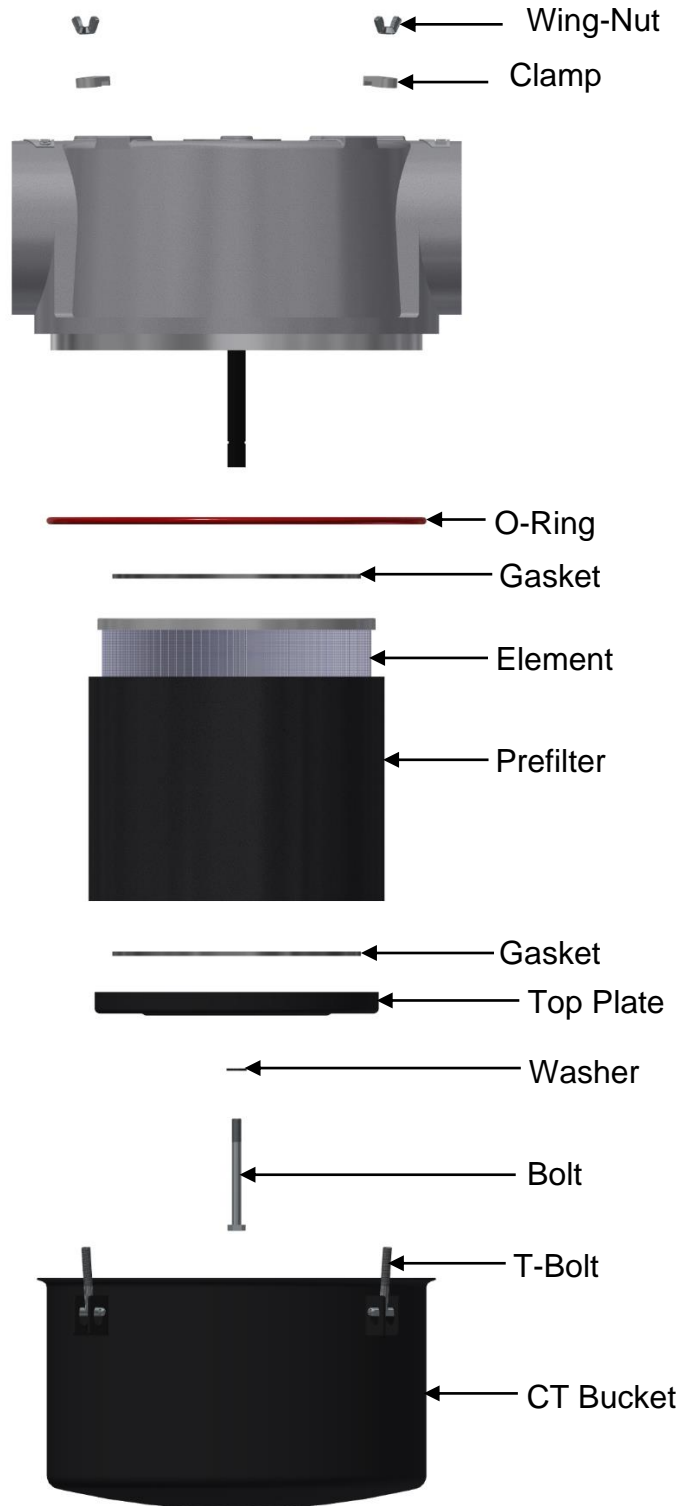
SOLBERG

| Available Replacement Part by Product Number | | | | |
|--|-----------|-----------|------------|---------|
| Product # | Element** | Prefilter | Top Plate | Washer |
| CT-234-XXX | 234 | 9010800 | 1030700+10 | 5010445 |
| CT-235-XXX | 235 | 9010800 | 1030700+10 | 5010445 |

***Note: Even element numbers are Paper elements and odd element numbers are Polyester elements.*

| Available Replacement Part by Product Number | | | | |
|--|---------|----------------|----------------|---------------|
| Product # | Bolt | Casting Gasket | CT Bucket | Wireform Clip |
| CT-234-XXX | 5011330 | 9112900 | 200-1051800+10 | 5080110+36 |
| CT-235-XXX | 5011330 | 9112900 | 200-1051800+10 | 5080110+36 |





CT Series 6" "T" Style Vacuum Filter
Available Replacement Parts

Page 27

Solberg Manufacturing, Inc., 1151 Ardmore Itasca, IL 60143 USA
Ph: 630.773.1363 Fax: 630.773.0727 Email: sales@solbergmfg.com Web: www.solbergmfg.com



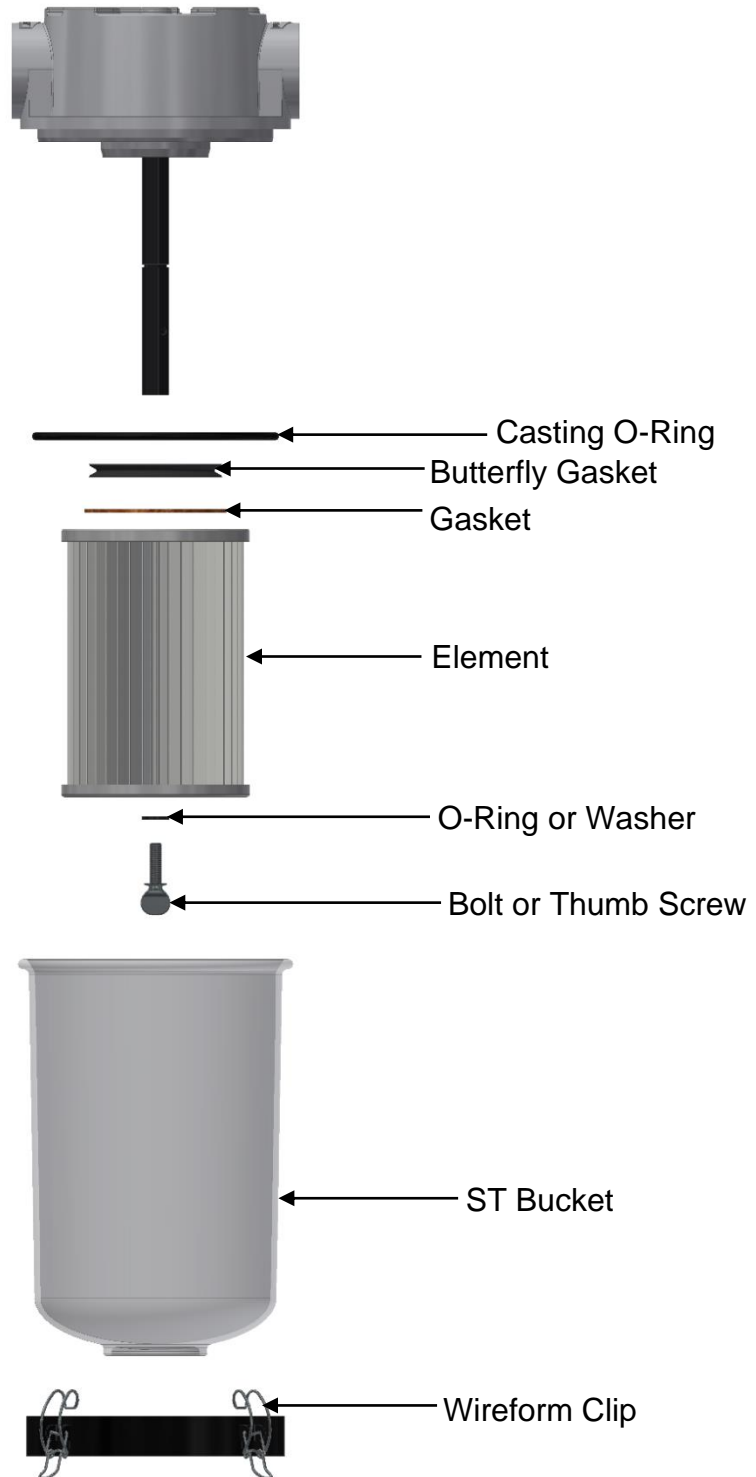
| Available Replacement Part by Product Number | | | | | | |
|--|-----------|-----------|---------|------------|---------|---------|
| Product # | Element** | Prefilter | Gasket | Top Plate | Washer | Bolt |
| CT-274-XXX | 274 | 9011000 | 9110200 | 1031000+10 | 5010445 | 5070285 |
| CT-275-XXX | 275 | 9011000 | 9110200 | 1031000+10 | 5010445 | 5070285 |

***Note: Even element numbers are Paper elements and odd element numbers are Polyester elements.*

| Available Replacement Part by Product Number | | | | | |
|--|---------|------------------|---------|---------|----------|
| Product # | O-Ring | CT Bucket | T-Bolt | Clamp | Wing-Nut |
| CT-274-XXX | 9241700 | 200-1071725-1+10 | 5011725 | 5081500 | 5030600 |
| CT-275-XXX | 9241700 | 200-1071725-1+10 | 5011725 | 5081500 | 5030600 |



4. ST Series



ST Series 1" – 2 1/2" "T" Style Vacuum Filter
Available Replacement Parts

Page 29

Solberg Manufacturing, Inc., 1151 Ardmore Itasca, IL 60143 USA
Ph: 630.773.1363 Fax: 630.773.0727 Email: sales@solbergmfg.com Web: www.solbergmfg.com

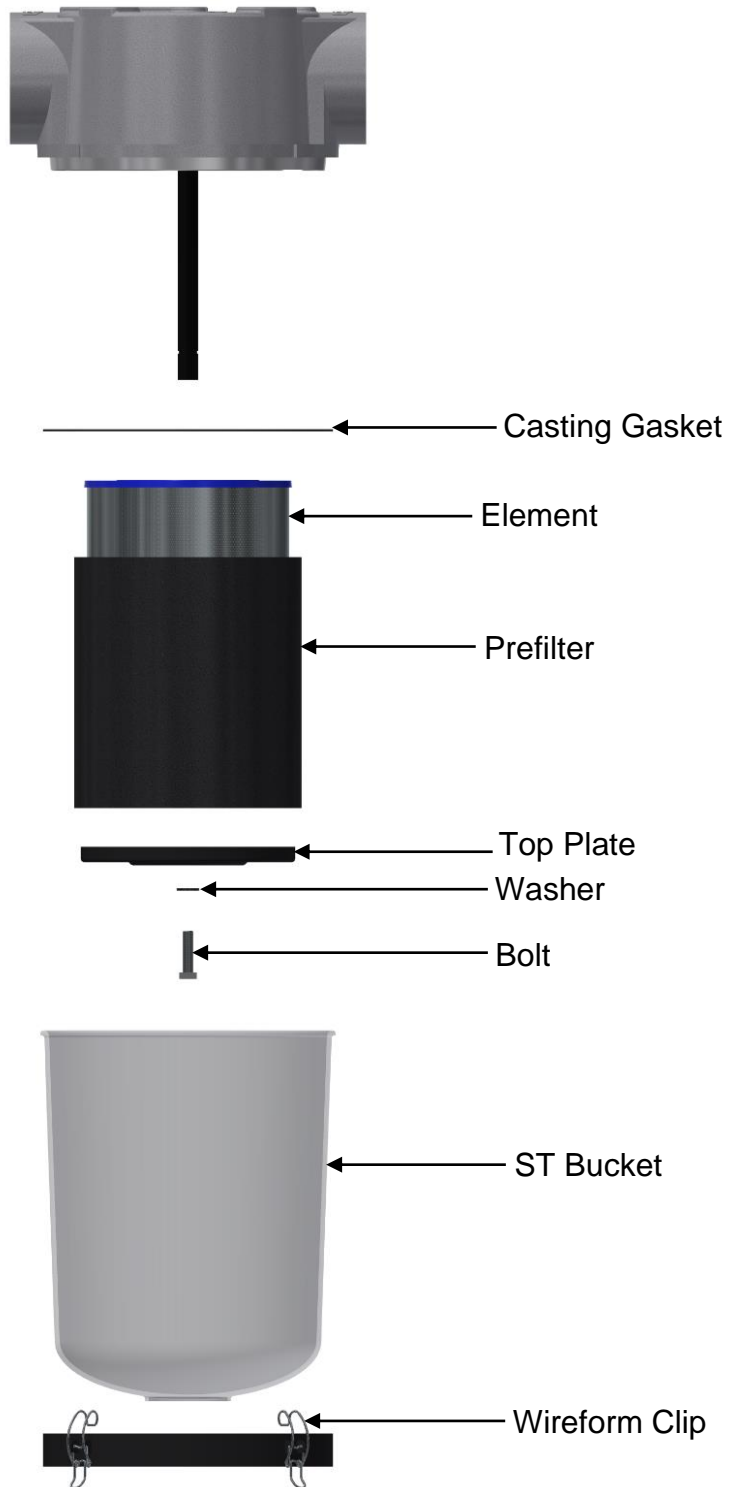


| Available Replacement Part by Product Number | | | | |
|--|-----------|------------------|------------------|---------------------|
| Product # | Element** | Butterfly Gasket | O-Ring or Washer | Bolt or Thumb Screw |
| ST-896-XXX | 896 | 9110900 | 9240030 | 5060250 |
| ST-897-XXX | 897 | 9110900 | 9240030 | 5060250 |
| ST-850/1-XXX | 850/1 | 9111100 | 5010445 | 5060300 |
| ST-851/1-XXX | 851/1 | 9111100 | 5010445 | 5060300 |

****Note:** *Even element numbers are Paper elements and odd element numbers are Polyester elements.*

| Available Replacement Part by Product Number | | | | |
|--|---------|----------------|-----------|---------------|
| Product # | Gasket | Casting O-Ring | ST Bucket | Wireform Clip |
| ST-896-XXX | N/A | 9262K375 | 1050250 | 5080110+36 |
| ST-897-XXX | N/A | 9262K375 | 1050250 | 5080110+36 |
| ST-850/1-XXX | 9111200 | 9241260 | 1050810 | 5080110+36 |
| ST-851/1-XXX | 9111200 | 9241260 | 1050810 | 5080110+36 |





ST Series 3" – 4" "T" Style Vacuum Filter
Available Replacement Parts

Page 31

Solberg Manufacturing, Inc., 1151 Ardmore Itasca, IL 60143 USA
Ph: 630.773.1363 Fax: 630.773.0727 Email: sales@solbergmfg.com Web: www.solbergmfg.com



SOLBERG

| Available Replacement Part by Product Number | | | | |
|--|-----------|-----------|------------|---------|
| Product # | Element** | Prefilter | Top Plate | Washer |
| ST-234-XXX | 234 | 9010800 | 1030700+10 | 5010445 |
| ST-235-XXX | 235 | 9010800 | 1030700+10 | 5010445 |

***Note: Even element numbers are Paper elements and odd element numbers are Polyester elements.*

| Available Replacement Part by Product Number | | | | |
|--|---------|----------------|-----------|---------------|
| Product # | Bolt | Casting Gasket | ST Bucket | Wireform Clip |
| ST-234-XXX | 5011330 | 9112900 | 1051850 | 5080110+36 |
| ST-235-XXX | 5011330 | 9112900 | 1051850 | 5080110+36 |

