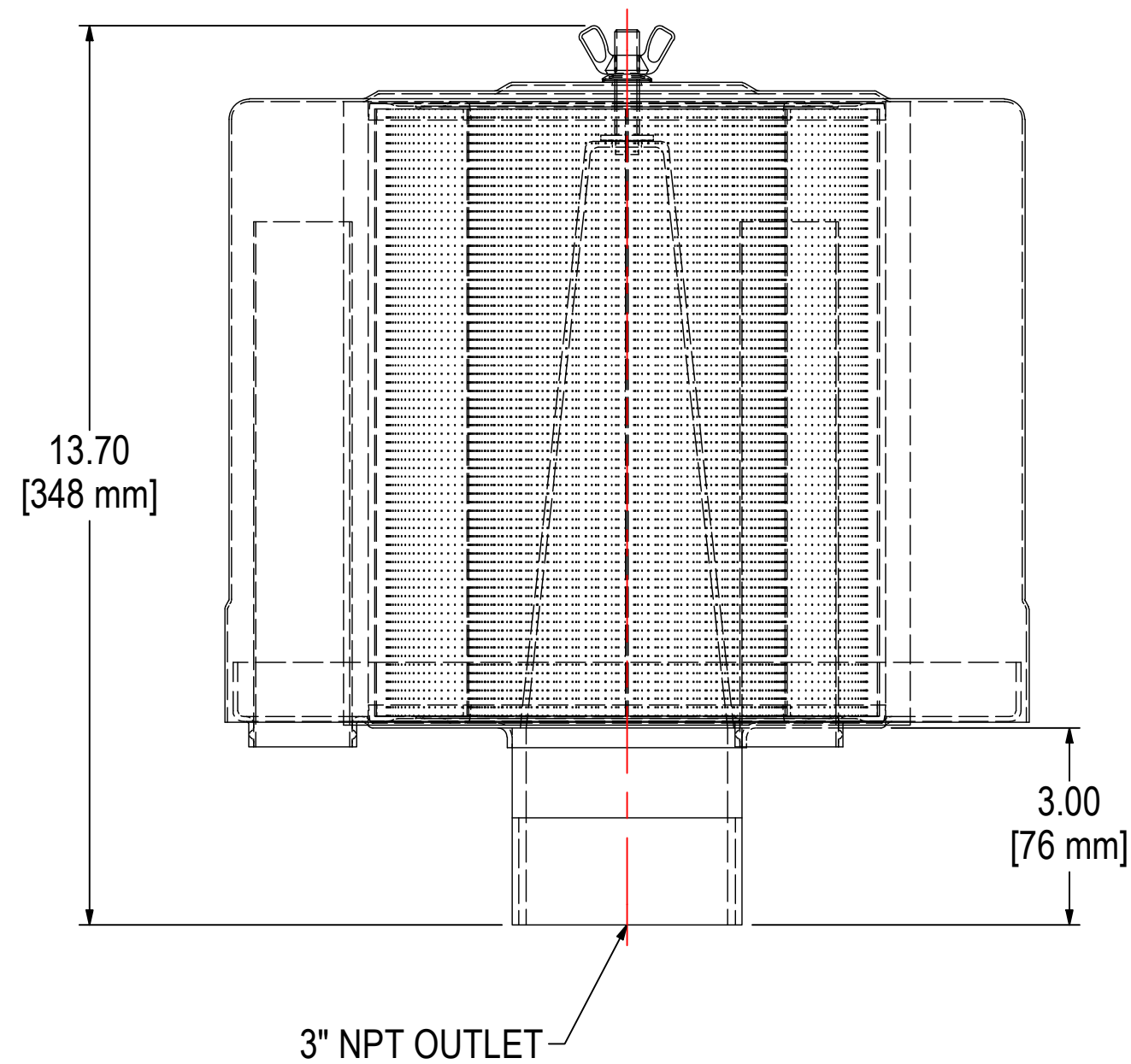
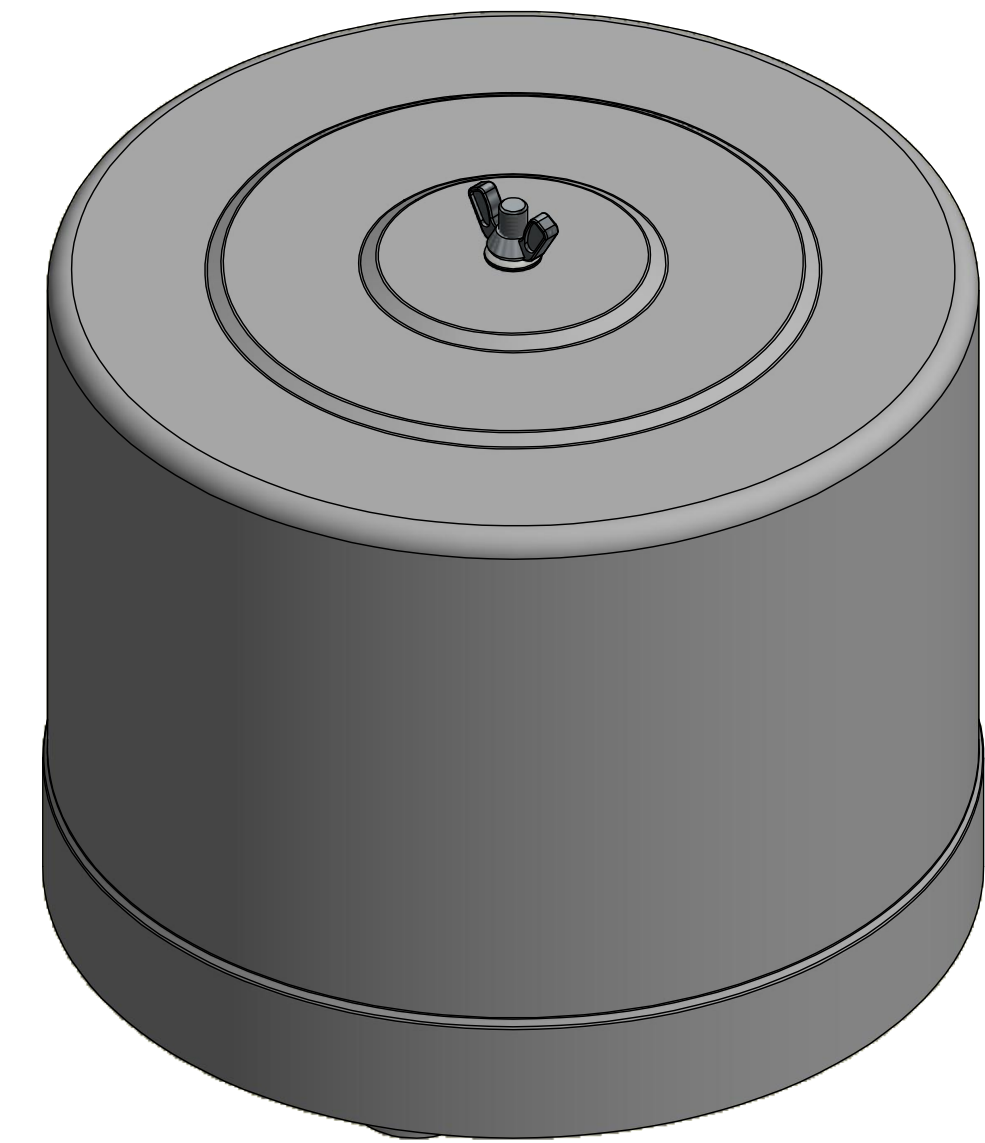
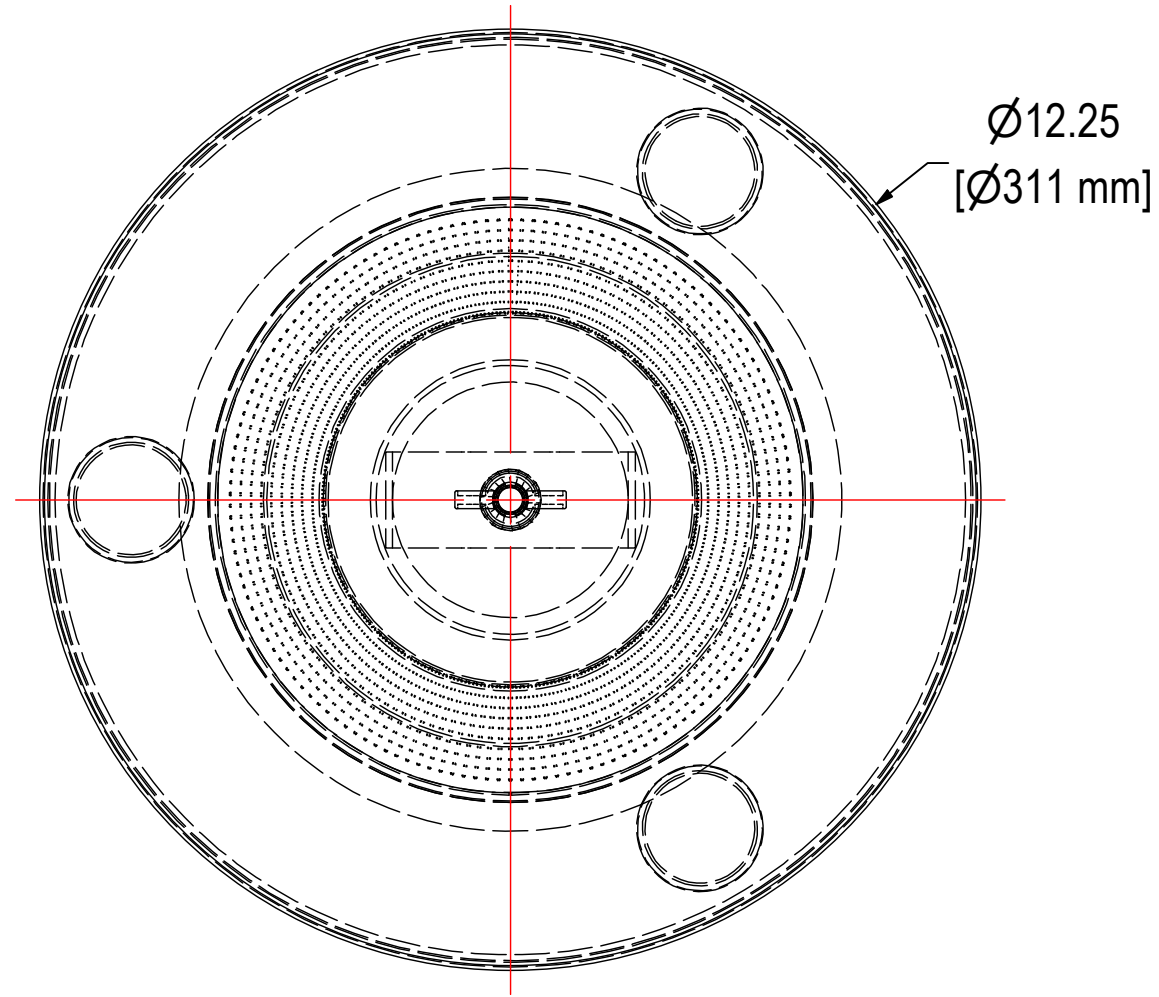


REV	DESCRIPTION	ECN #	CHG BY	DATE	APP'D
A	PART NUMBER WAS FS(12)-234P-300	35369	EZR	02/12/26	GSS



ELEMENT SPECS		
PART NUMBER	234P	
MATERIAL	PAPER	
FLOW RATE	570 CFM	969 m ³ /hr
SURFACE AREA	23.2 ft ²	2.2 m ²
I.D.	4.75"	121mm
O.D.	7.88"	200mm
HEIGHT	9.56"	243mm

MODEL #: FS-234P-300	MATERIAL: CARBON STEEL	FINISH: GRAY POWDER	SHEET: 1 OF 1
MODEL NUMBER: FS-234P-300	DESCRIPTION: FS-234P-300, GRAY		REV: A
PROJECT:	DRAWN BY: JAM DATE: 6/21/2017	APPROVED BY: NAD DATE: 6/21/2017	REV: A

SOLBERG
Filtration • Separation • Silencing
630.773.1363 • www.solbergmfg.com

THE INFORMATION CONTAINED HEREIN IS CONFIDENTIAL AND THE PROPERTY OF SOLBERG MANUFACTURING INC. AND IT IS FURNISHED TO YOU WITH THE EXPRESS UNDERSTANDING THAT IT WILL NOT BE REPRODUCED, COPIED IN ANY MANNER, LOANED OR OTHERWISE TRANSFERRED TO OTHERS ENTIRELY OR IN PART, NOR USED FOR ANY PURPOSE OTHER THAN FOR WHICH IT WAS FURNISHED. IT WILL BE RETURNED UPON REQUEST TO SOLBERG MANUFACTURING INC. THE ABOVE RESTRICTION IS IN ADDITION TO, AND DOES NOT IN ANY WAY ALTER, ANY OTHER RESTRICTIONS WHICH MAY APPLY TO THE INFORMATION CONTAINED HEREIN.

TOLERANCES
DIMENSIONS ARE FOR REFERENCE ONLY. ALL DIMENSIONS ARE SUBJECT TO CHANGE UPON PRODUCTION.
UNLESS OTHERWISE SPECIFIED:
-DIMENSIONS ARE IN INCHES
-REF: APPROXIMATE DIMENSIONS, NO TOLERANCES APPLY
-FINISH: BREAK EDGES TO .005-.020 RADIUS/CHAMFER