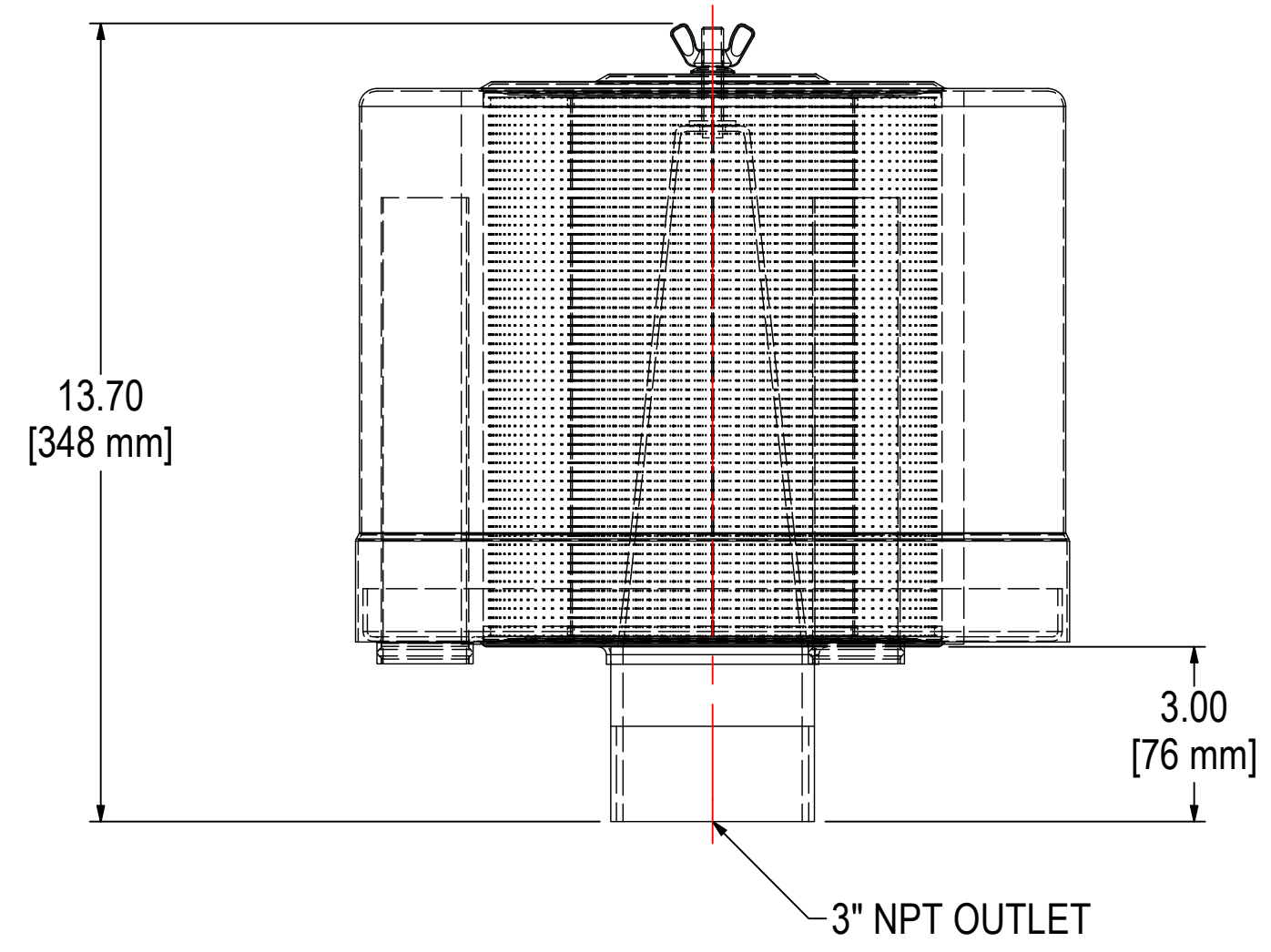
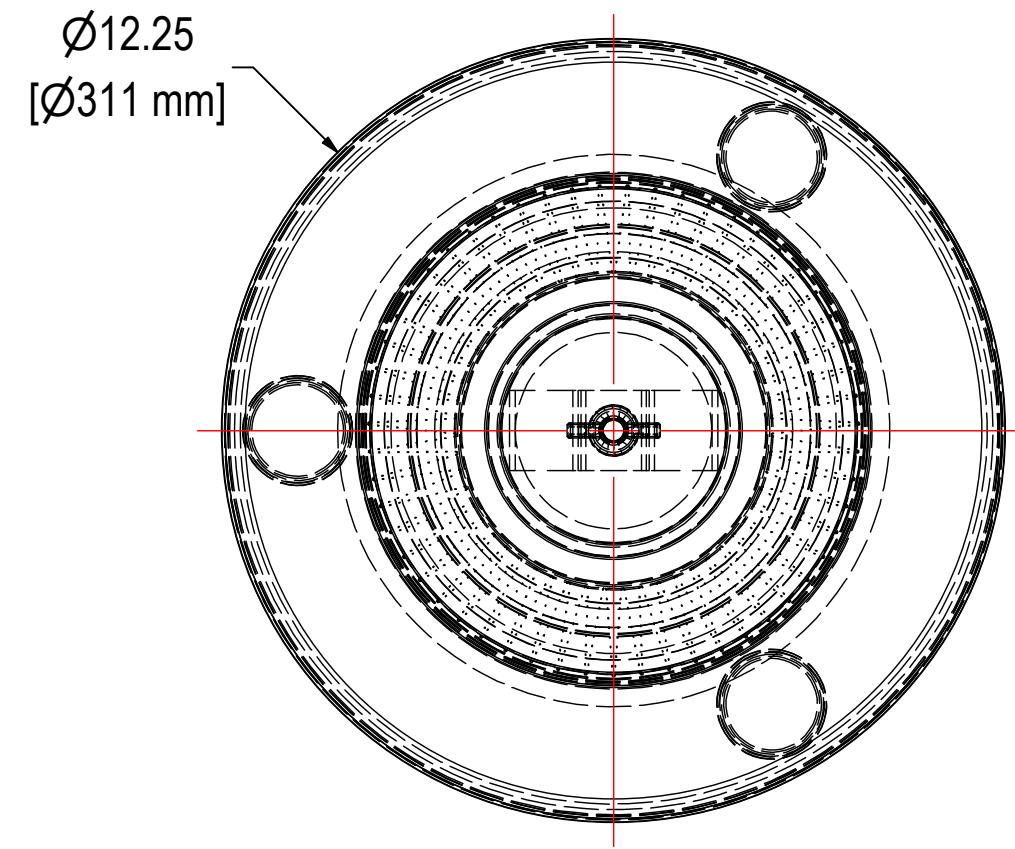


REV	DESCRIPTION	ECN #	CHG BY	DATE	APP'D
A	UPDATED TO 3D	WEB	NAD	10/14/19	EZR
B	PART NUMBER WAS FS(12)-235P-300	35369	EZR	02/12/26	TAS



ELEMENT SPECS		
PART NUMBER	235P	
MATERIAL	POLYESTER	
FLOW RATE	570 CFM	968 m ³ /hr
SURFACE AREA	9.4 ft ²	0.9 m ²
I.D.	4.69"	119mm
O.D.	7.73"	196mm
HEIGHT	9.56"	243mm

MODEL #: FS-235P-300	MATERIAL: CARBON STEEL	FINISH: GRAY POWDER
MODEL NUMBER: FS-235P-300	DESCRIPTION: FS-235P-300, GRAY	SHEET: 1 OF 1
PROJECT: SD20850		REV: B
DRAWN BY: CRW	APPROVED BY: M.C.	DATE: 5/12/2014
DATE: 5/12/2014	DATE: 5/12/2014	

SOLBERG[®]
Filtration • Separation • Silencing
 630.773.1363 • www.solbergmfg.com

THE INFORMATION CONTAINED HEREIN IS CONFIDENTIAL AND THE PROPERTY OF SOLBERG MANUFACTURING INC. AND IT IS FURNISHED TO YOU WITH THE EXPRESS UNDERSTANDING THAT IT WILL NOT BE REPRODUCED, COPIED IN ANY MANNER, LOANED OR OTHERWISE TRANSFERRED TO OTHERS ENTIRELY OR IN PART, NOR USED FOR ANY PURPOSE OTHER THAN FOR WHICH IT WAS FURNISHED. IT WILL BE RETURNED UPON REQUEST TO SOLBERG MANUFACTURING INC. THE ABOVE RESTRICTION IS IN ADDITION TO, AND DOES NOT IN ANY WAY ALTER, ANY OTHER RESTRICTIONS WHICH MAY APPLY TO THE INFORMATION CONTAINED HEREIN.

TOLERANCES
 DIMENSIONS ARE FOR REFERENCE ONLY. ALL DIMENSIONS ARE SUBJECT TO CHANGE UPON PRODUCTION.
 UNLESS OTHERWISE SPECIFIED:
 -DIMENSIONS ARE IN INCHES
 -REF: APPROXIMATE DIMENSIONS, NO TOLERANCES APPLY
 -FINISH: BREAK EDGES TO .005-.020 RADIUS/CHAMFER