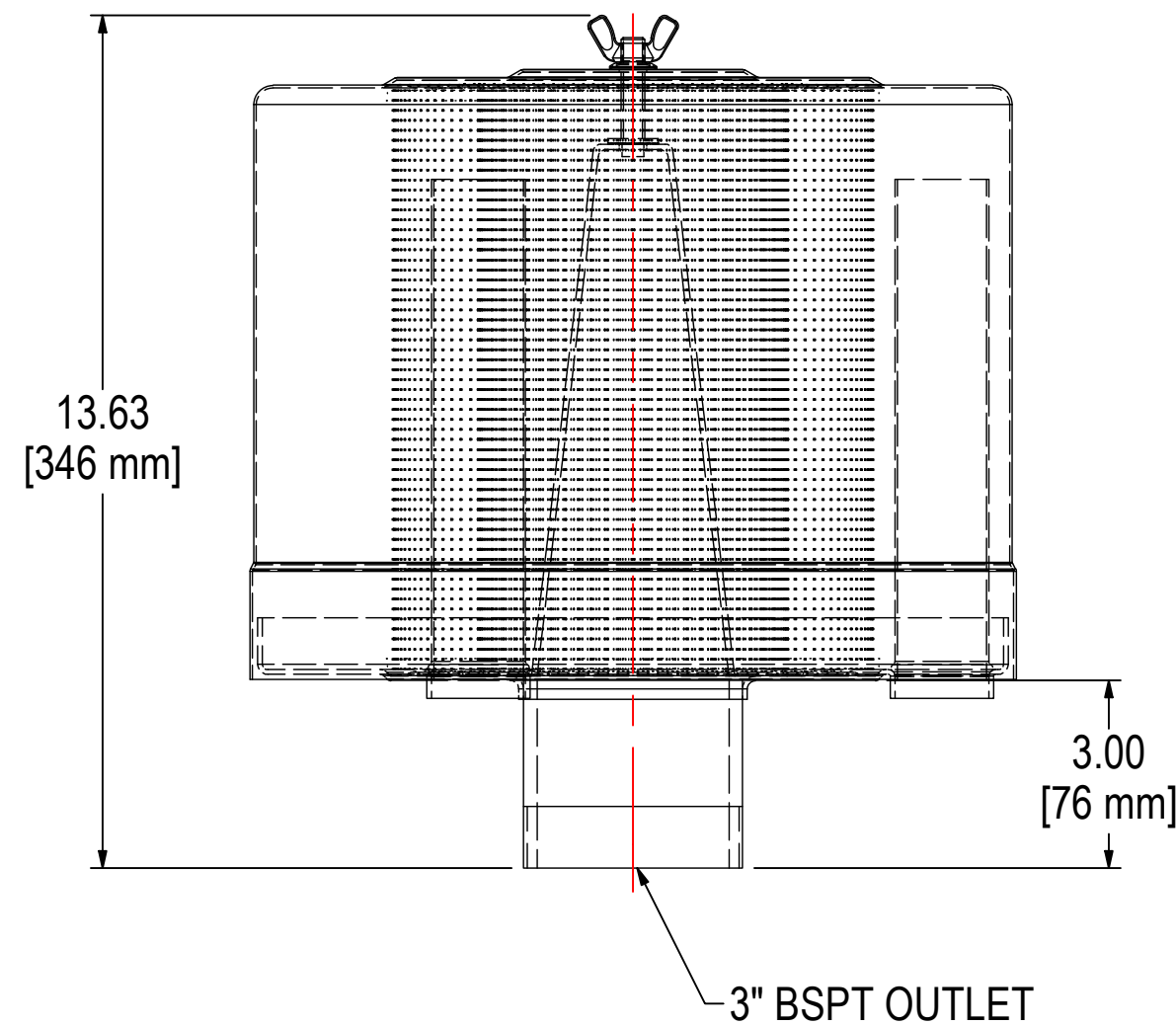
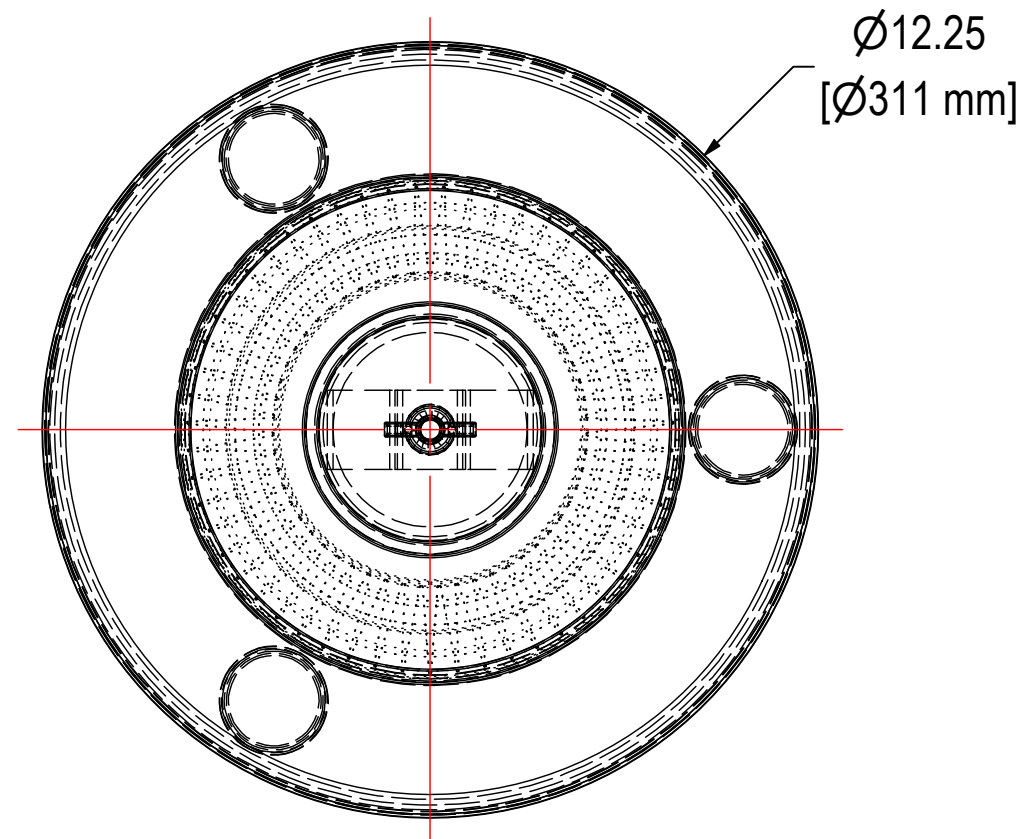


REV	DESCRIPTION	ECN #	CHG BY	DATE	APP'D
A	CONVERTED TO 3D, UPDATED ELEMENT SPECS	34984	MFS	01/06/26	AMZ
B	PART NUMBER WAS FS(12)-235P-301	35384	EZR	02/12/26	GSS



ELEMENT SPECS		
PART NUMBER	235P	
MATERIAL	POLYESTER	
FLOW RATE	570 CFM	968 m ³ /hr
SURFACE AREA	8.3 ft ²	0.8 m ²
I.D.	4.75"	121mm
O.D.	7.88"	200mm
HEIGHT	9.47"	241mm

MODEL #: FS-235P-301	MATERIAL: CARBON STEEL	FINISH: GRAY POWDER	SHEET: 1 OF 1
MODEL NUMBER: FS-235P-301	DESCRIPTION: FS-235P-301, GRAY		REV: B
PROJECT: SD19302	DRAWN BY: JCB DATE: 5/9/2013	APPROVED BY: CCS DATE: 5/9/2013	

THE INFORMATION CONTAINED HEREIN IS CONFIDENTIAL AND THE PROPERTY OF SOLBERG MANUFACTURING INC. AND IT IS FURNISHED TO YOU WITH THE EXPRESS UNDERSTANDING THAT IT WILL NOT BE REPRODUCED, COPIED IN ANY MANNER, LOANED OR OTHERWISE TRANSFERRED TO OTHERS ENTIRELY OR IN PART, NOR USED FOR ANY PURPOSE OTHER THAN FOR WHICH IT WAS FURNISHED. IT WILL BE RETURNED UPON REQUEST TO SOLBERG MANUFACTURING INC. THE ABOVE RESTRICTION IS IN ADDITION TO, AND DOES NOT IN ANY WAY ALTER, ANY OTHER RESTRICTIONS WHICH MAY APPLY TO THE INFORMATION CONTAINED HEREIN.

TOLERANCES
 DIMENSIONS ARE FOR REFERENCE ONLY. ALL DIMENSIONS ARE SUBJECT TO CHANGE UPON PRODUCTION.
 UNLESS OTHERWISE SPECIFIED:
 -DIMENSIONS ARE IN INCHES
 -REF: APPROXIMATE DIMENSIONS, NO TOLERANCES APPLY
 -FINISH: BREAK EDGES TO .005-.020 RADIUS/CHAMFER

