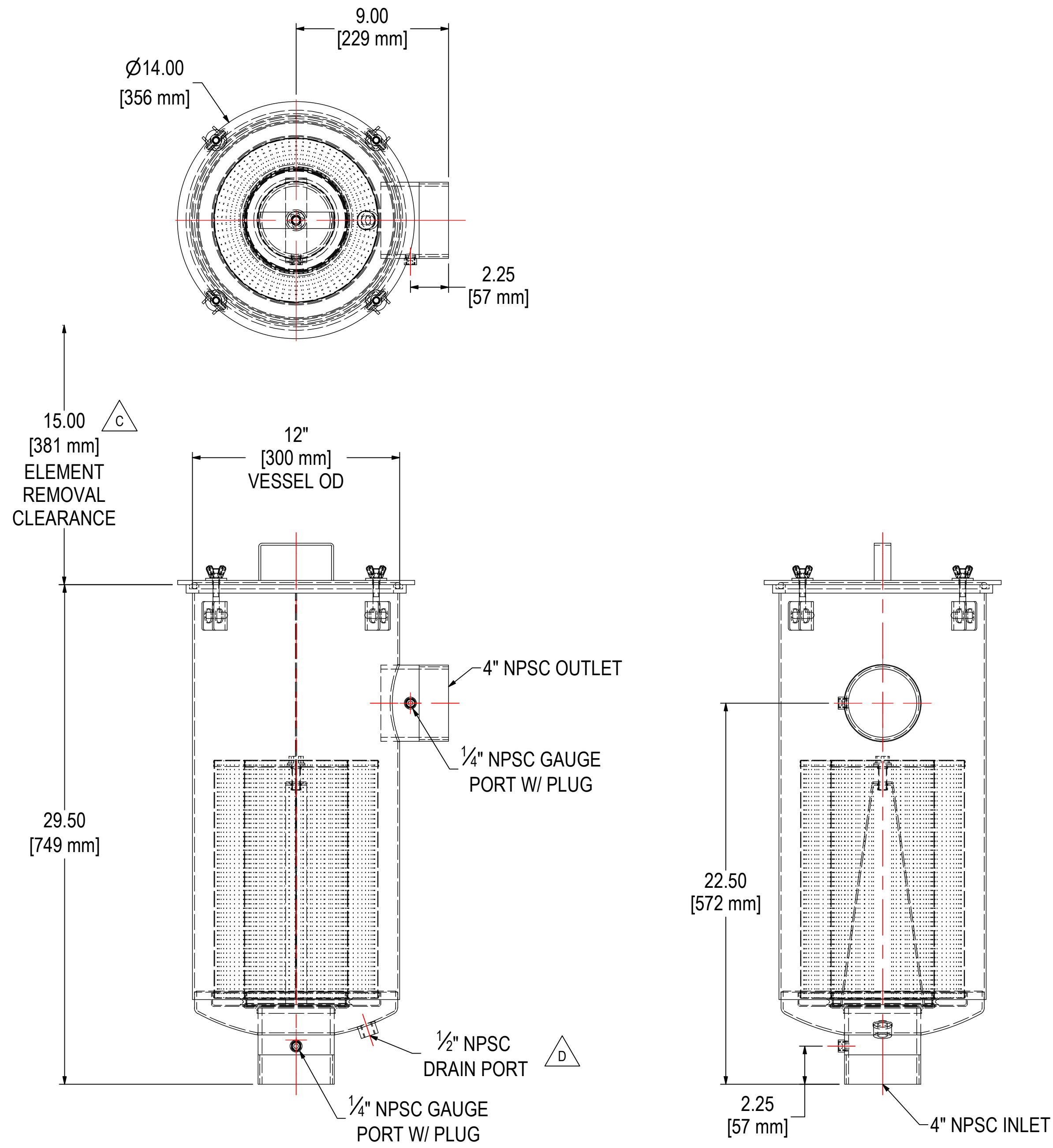


REV	DESCRIPTION	ECN #	CHG BY	DATE	APP'D
A	UPDATED TO CURRENT LAYOUT	17860	NAD	12/04/19	TAS
B	REMOVED MOUNTING TABLE TABS	DCR160	NAD	11/03/22	TAS
C	ADDED ELEMENT REMOVAL CLEARANCE	PRJ 763	MJF	04/11/24	TAS
D	REMOVED DRAIN PORT PLUG	PRJ700	DMC	05/8/25	



ELEMENT SPECS		
PART NUMBER	PSG344/2	
MATERIAL	COALESCING	
FLOW RATE	500 CFM	850 m ³ /hr
SURFACE AREA	-	-
I.D.	6.00"	152mm
O.D.	9.75"	248mm
HEIGHT	14.06"	357mm

MODEL #: HDL-PSG344/2-400	MATERIAL: CARBON STEEL	FINISH: WHITE POWDER
MODEL NUMBER: HDL-PSG344/2-400	SHEET: 1 OF 1	
DESCRIPTION: HDL-PSG344/2-400, WHITE		
PROJECT:	DRAWN BY: CRW	APPROVED BY: P.G.
	DATE: 10/27/2005	DATE: 11/4/2005
		REV: D

SOLBERG
Filtration • Separation • Silencing
630.773.1363 • www.solbergmfg.com

THE INFORMATION CONTAINED HEREIN IS CONFIDENTIAL AND THE PROPERTY OF SOLBERG MANUFACTURING INC. AND IT IS FURNISHED TO YOU WITH THE EXPRESS UNDERSTANDING THAT IT WILL NOT BE REPRODUCED, COPIED IN ANY MANNER, LOANED OR OTHERWISE TRANSFERRED TO OTHERS ENTIRELY OR IN PART, NOR USED FOR ANY PURPOSE OTHER THAN FOR WHICH IT WAS FURNISHED. IT WILL BE RETURNED UPON REQUEST TO SOLBERG MANUFACTURING INC. THE ABOVE RESTRICTION IS IN ADDITION TO, AND DOES NOT IN ANY WAY ALTER, ANY OTHER RESTRICTIONS WHICH MAY APPLY TO THE INFORMATION CONTAINED HEREIN.

TOLERANCES
DIMENSIONS ARE FOR REFERENCE ONLY. ALL DIMENSIONS ARE SUBJECT TO CHANGE UPON PRODUCTION.
UNLESS OTHERWISE SPECIFIED:
-DIMENSIONS ARE IN INCHES
-REF: APPROXIMATE DIMENSIONS, NO TOLERANCES APPLY
-FINISH: BREAK EDGES TO .005-.020 RADIUS/CHAMFER