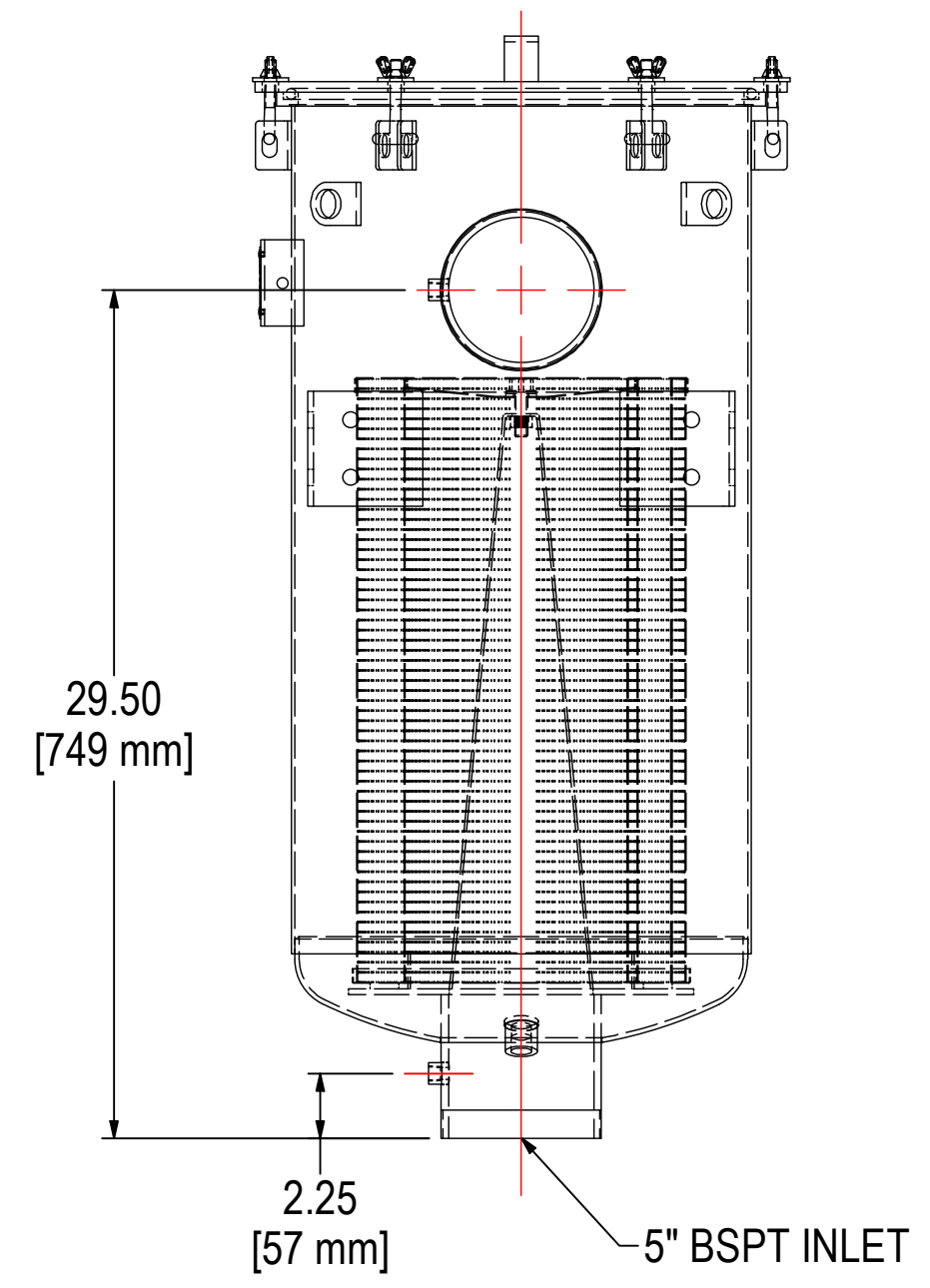
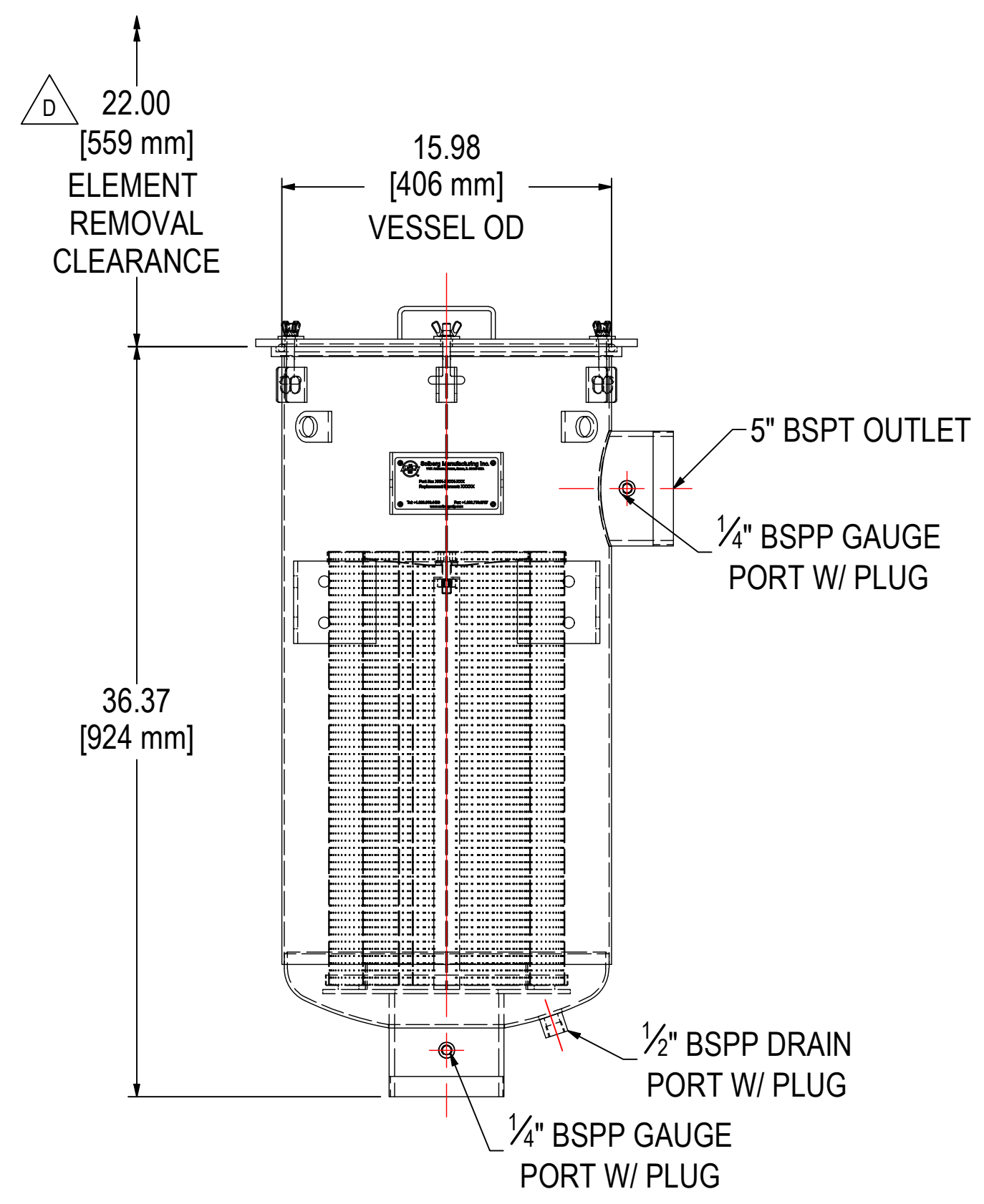
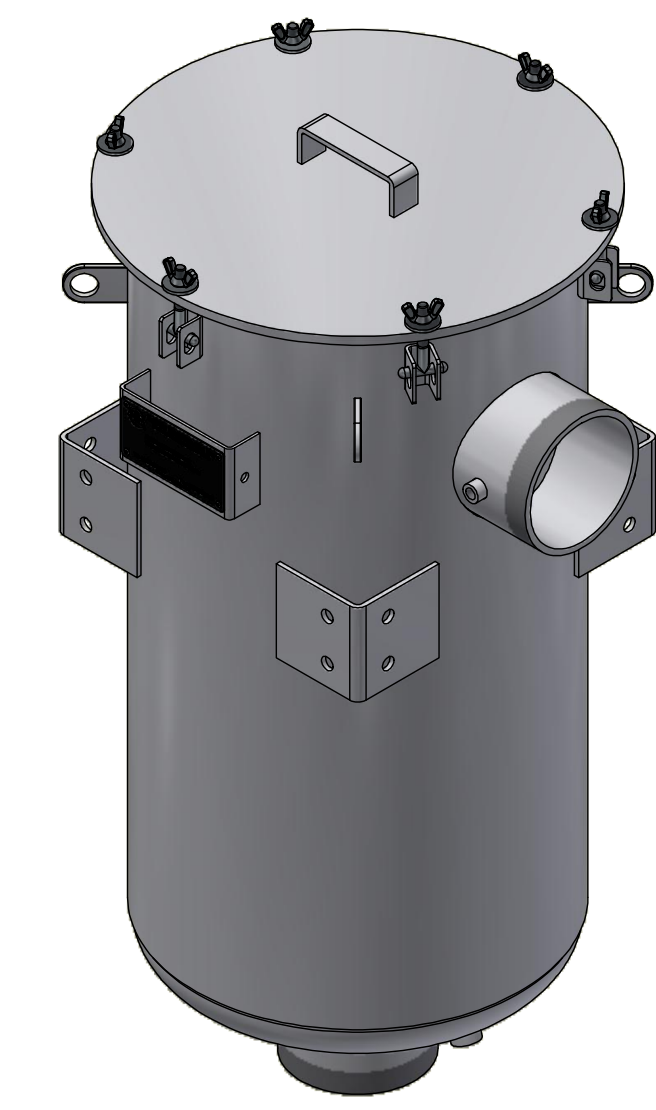
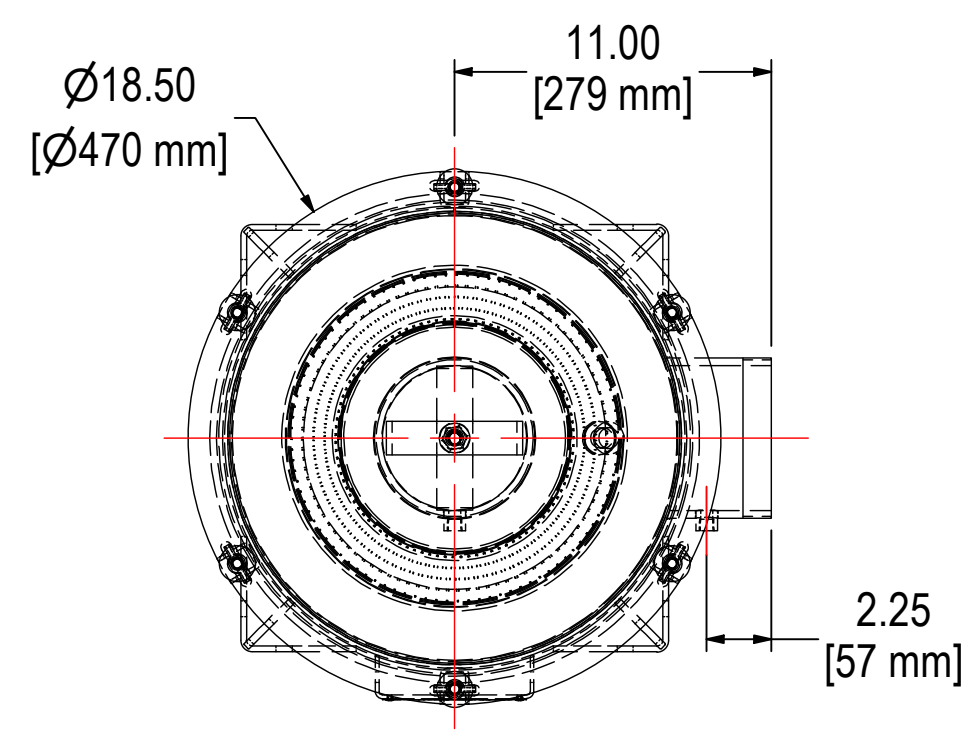


REV	DESCRIPTION	ECN #	CHG BY	DATE	APP'D
A	UPDATED TANK DESIGN	3902	EZR	08/19/14	CRW
B	UPDATED TO 3D, CHANGED TANK DESIGN	11256	DDH	05/23/17	CRW
C	UPDATED ELEMENT TO INCLUDE GASKET	-	JEB	06/03/19	DDH
D	ELEMENT WAS PSG474/2G, ADDED ELEMENT REMOVAL CLEARANCE	29772	JEB	06/06/24	DDH



ELEMENT SPECS		
PART NUMBER	PSG474/2	
MATERIAL	Fiberglass	
FLOW RATE	1100 CFM	1869 m ³ /hr
SURFACE AREA	-	-
I.D.	8.00"	203mm
O.D.	11.75"	298mm
HEIGHT	21.25"	540mm

MODEL #: HDL-PSG474-2-501	MATERIAL: CARBON STEEL	FINISH: WHITE PAINT	SHEET: 1 OF 1
MODEL NUMBER: HDL-PSG474-2-501	DESCRIPTION: HDL-PSG474/2-501, WHITE		REV: D
PROJECT: SD14189	DRAWN BY: CMA DATE: 2/2/2009	APPROVED BY: SR DATE: 2/2/2009	

THE INFORMATION CONTAINED HEREIN IS CONFIDENTIAL AND THE PROPERTY OF SOLBERG MANUFACTURING INC. AND IT IS FURNISHED TO YOU WITH THE EXPRESS UNDERSTANDING THAT IT WILL NOT BE REPRODUCED, COPIED IN ANY MANNER, LOANED OR OTHERWISE TRANSFERRED TO OTHERS ENTIRELY OR IN PART, NOR USED FOR ANY PURPOSE OTHER THAN FOR WHICH IT WAS FURNISHED. IT WILL BE RETURNED UPON REQUEST TO SOLBERG MANUFACTURING INC. THE ABOVE RESTRICTION IS IN ADDITION TO, AND DOES NOT IN ANY WAY ALTER, ANY OTHER RESTRICTIONS WHICH MAY APPLY TO THE INFORMATION CONTAINED HEREIN.

TOLERANCES
DIMENSIONS ARE FOR REFERENCE ONLY. ALL DIMENSIONS ARE SUBJECT TO CHANGE UPON PRODUCTION.
UNLESS OTHERWISE SPECIFIED:
-DIMENSIONS ARE IN INCHES
-REF: APPROXIMATE DIMENSIONS, NO TOLERANCES APPLY
-FINISH: BREAK EDGES TO .005-.020 RADIUS/CHAMFER