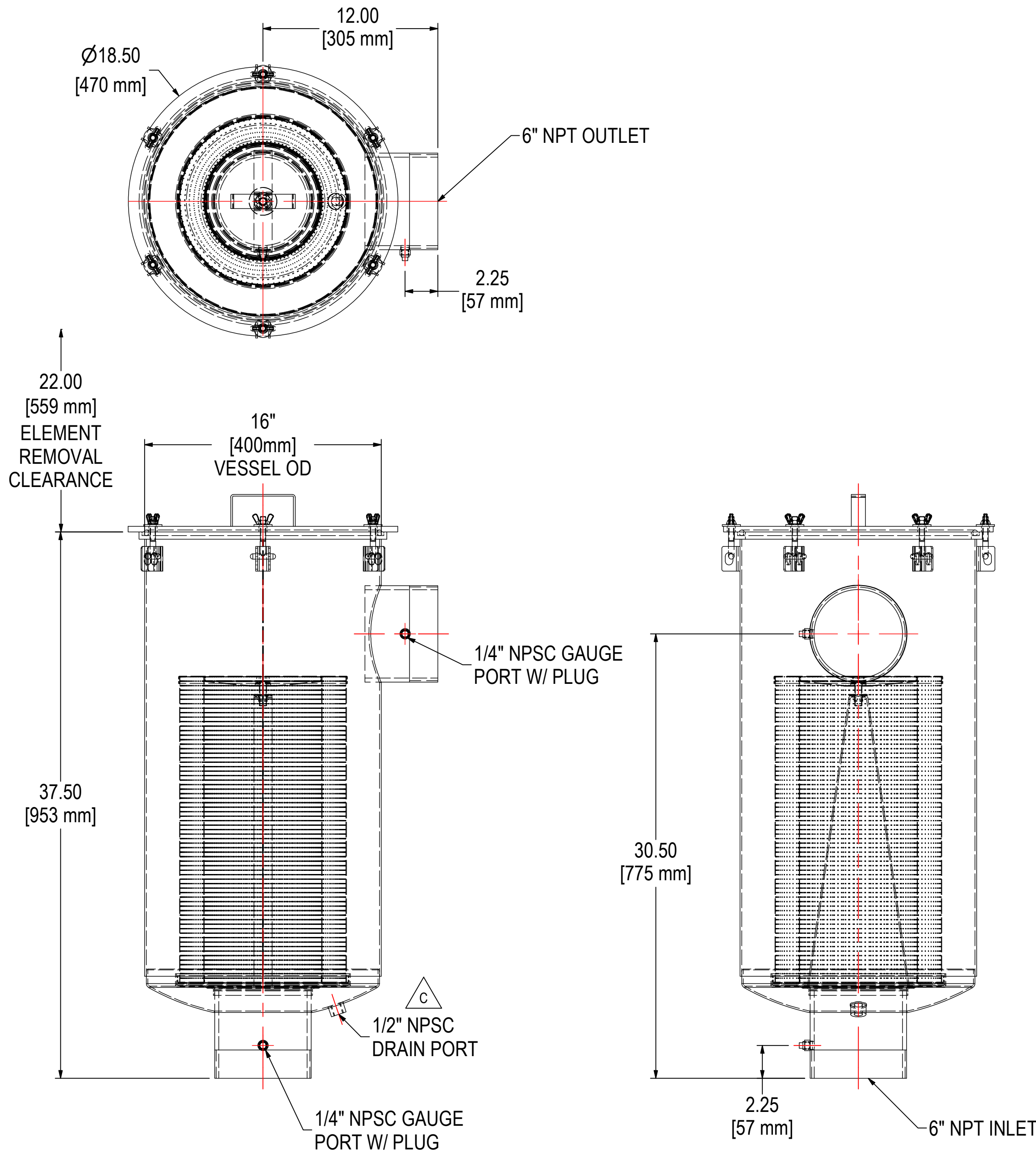


REV	DESCRIPTION	ECN #	CHG BY	DATE	APP'D
A	CONVERTED TO 3D	17868	EZR	12/06/19	TAS
B	UPDATED DESIGN	29780	AMZ	06/05/24	EZR
C	REMOVED DRAIN PORT PLUG	PRJ700	DMC	06/11/25	NAS



ELEMENT SPECS		
PART NUMBER	PSG474/2	
MATERIAL	COALESCING	
FLOW RATE	1100 CFM	1869 m ³ /hr
SURFACE AREA	-	-
I.D.	8.00"	203mm
O.D.	11.75"	298mm
HEIGHT	21.25"	540mm

MODEL #: HDL-PSG474/2-600	MATERIAL: CARBON STEEL	FINISH: WHITE POWDER
MODEL NUMBER: HDL-PSG474/2-600	SHEET: 1 OF 1	
DESCRIPTION: HDL-PSG474/2-600, WHITE		
PROJECT:	DRAWN BY: CRW	APPROVED BY: PG
	DATE: 11/2/2001	DATE: 11/2/2001
		REV: C



THE INFORMATION CONTAINED HEREIN IS CONFIDENTIAL AND THE PROPERTY OF SOLBERG MANUFACTURING INC. AND IT IS FURNISHED TO YOU WITH THE EXPRESS UNDERSTANDING THAT IT WILL NOT BE REPRODUCED, COPIED IN ANY MANNER, LOANED OR OTHERWISE TRANSFERRED TO OTHERS ENTIRELY OR IN PART, NOR USED FOR ANY PURPOSE OTHER THAN FOR WHICH IT WAS FURNISHED. IT WILL BE RETURNED UPON REQUEST TO SOLBERG MANUFACTURING INC. THE ABOVE RESTRICTION IS IN ADDITION TO, AND DOES NOT IN ANY WAY ALTER, ANY OTHER RESTRICTIONS WHICH MAY APPLY TO THE INFORMATION CONTAINED HEREIN.

TOLERANCES
DIMENSIONS ARE FOR REFERENCE ONLY. ALL DIMENSIONS ARE SUBJECT TO CHANGE UPON PRODUCTION.
UNLESS OTHERWISE SPECIFIED:
-DIMENSIONS ARE IN INCHES
-REF: APPROXIMATE DIMENSIONS, NO TOLERANCES APPLY
-FINISH: BREAK EDGES TO .005-.020 RADIUS/CHAMFER