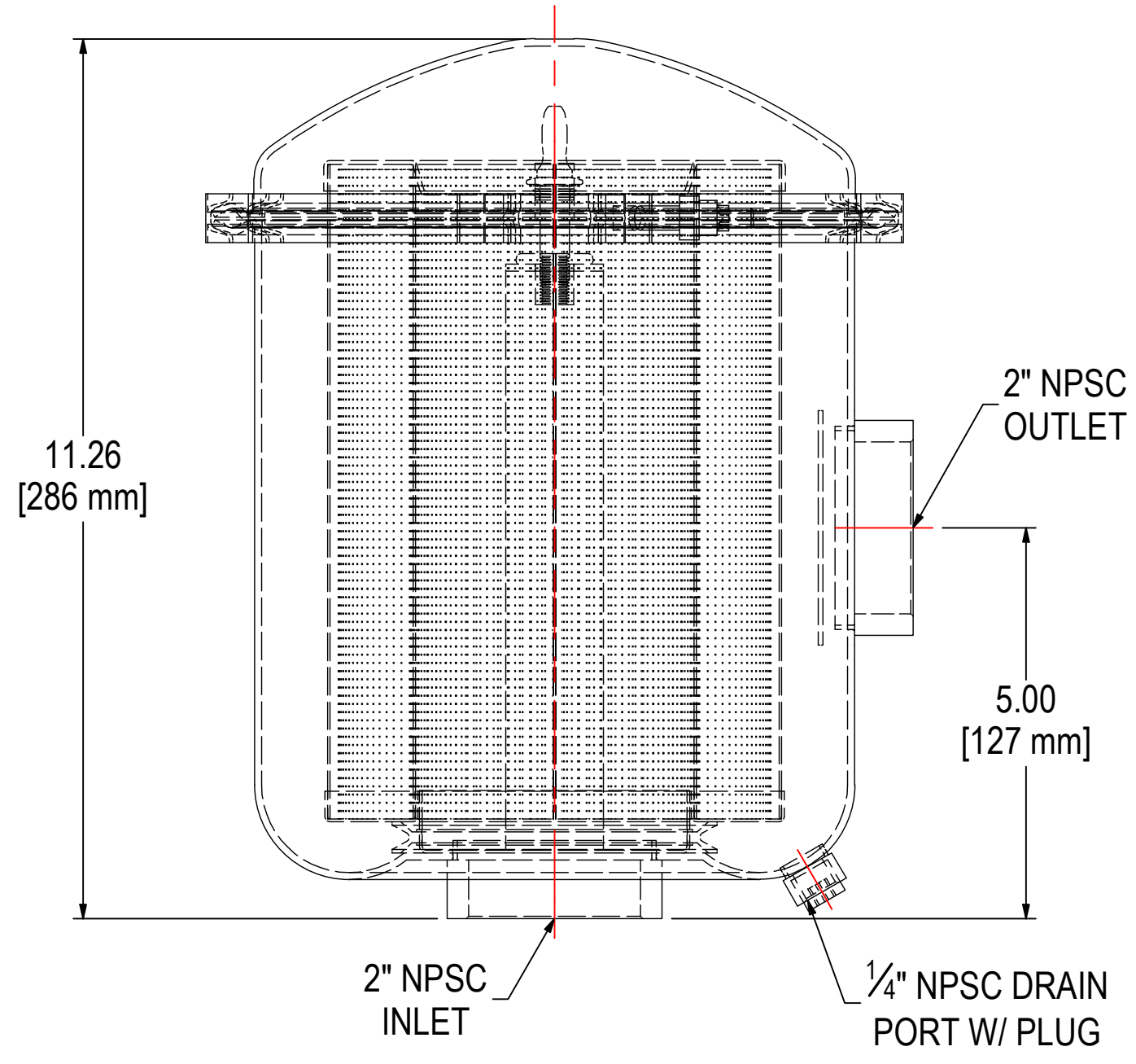
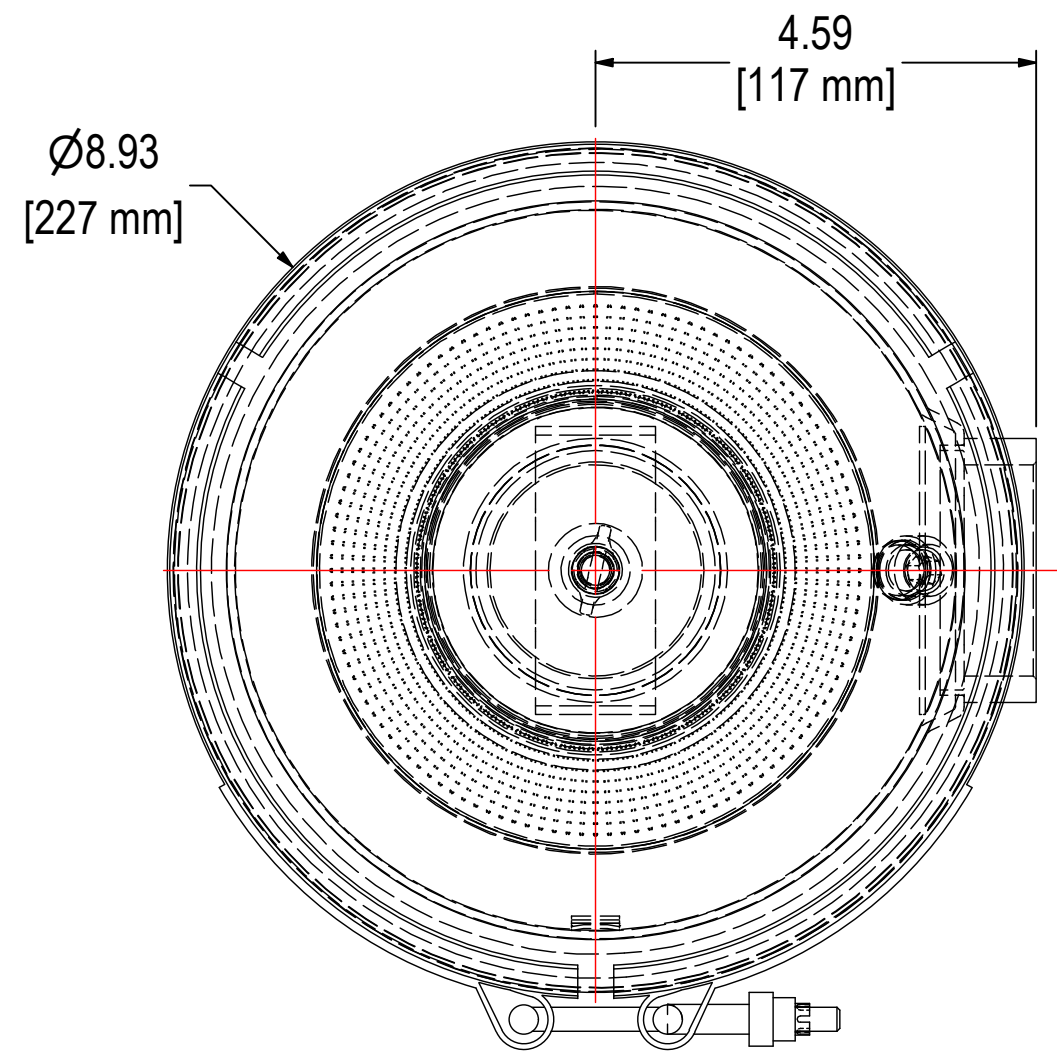


REV	DESCRIPTION	ECN #	CHG BY	DATE	APP'D
A	UPDATE TO NEW STANDARDS	-	PE	02/07/00	JAB
B	ADDED TOP VIEW	14073	CRW	03/17/05	M.C.
C	CONVERTED TO 3D	PER M.C.	EZR	02/17/16	M.C.
D	UPDATED DRAWING LAYOUT	17825	TAS	11/27/19	NAD



ELEMENT SPECS		
PART NUMBER	PSG850/1	
MATERIAL	COALESCING	
FLOW RATE	125 CFM	212 m ³ /hr
SURFACE AREA	-	-
I.D.	3.50"	89mm
O.D.	5.91"	150mm
HEIGHT	8.40"	213mm

MODEL #: HDL-PSG850/1-200HC	MATERIAL: CARBON STEEL	FINISH: WHITE POWDER
MODEL NUMBER: HDL-PSG850/1-200HC		SHEET: 1 OF 1
DESCRIPTION: HDL-PSG850/1-200HC, WHITE		
PROJECT:	DRAWN BY: JAB DATE: 09/22/1999	APPROVED BY: DATE:
		REV: D

SOLBERG
Filtration • Separation • Silencing
630.773.1363 • www.solbergmfg.com

THE INFORMATION CONTAINED HEREIN IS CONFIDENTIAL AND THE PROPERTY OF SOLBERG MANUFACTURING INC. AND IT IS FURNISHED TO YOU WITH THE EXPRESS UNDERSTANDING THAT IT WILL NOT BE REPRODUCED, COPIED IN ANY MANNER, LOANED OR OTHERWISE TRANSFERRED TO OTHERS ENTIRELY OR IN PART, NOR USED FOR ANY PURPOSE OTHER THAN FOR WHICH IT WAS FURNISHED. IT WILL BE RETURNED UPON REQUEST TO SOLBERG MANUFACTURING INC. THE ABOVE RESTRICTION IS IN ADDITION TO, AND DOES NOT IN ANY WAY ALTER, ANY OTHER RESTRICTIONS WHICH MAY APPLY TO THE INFORMATION CONTAINED HEREIN.

TOLERANCES
DIMENSIONS ARE FOR REFERENCE ONLY. ALL DIMENSIONS ARE SUBJECT TO CHANGE UPON PRODUCTION.
UNLESS OTHERWISE SPECIFIED:
-DIMENSIONS ARE IN INCHES
-REF: APPROXIMATE DIMENSIONS, NO TOLERANCES APPLY
-FINISH: BREAK EDGES TO .005-.020 RADIUS/CHAMFER