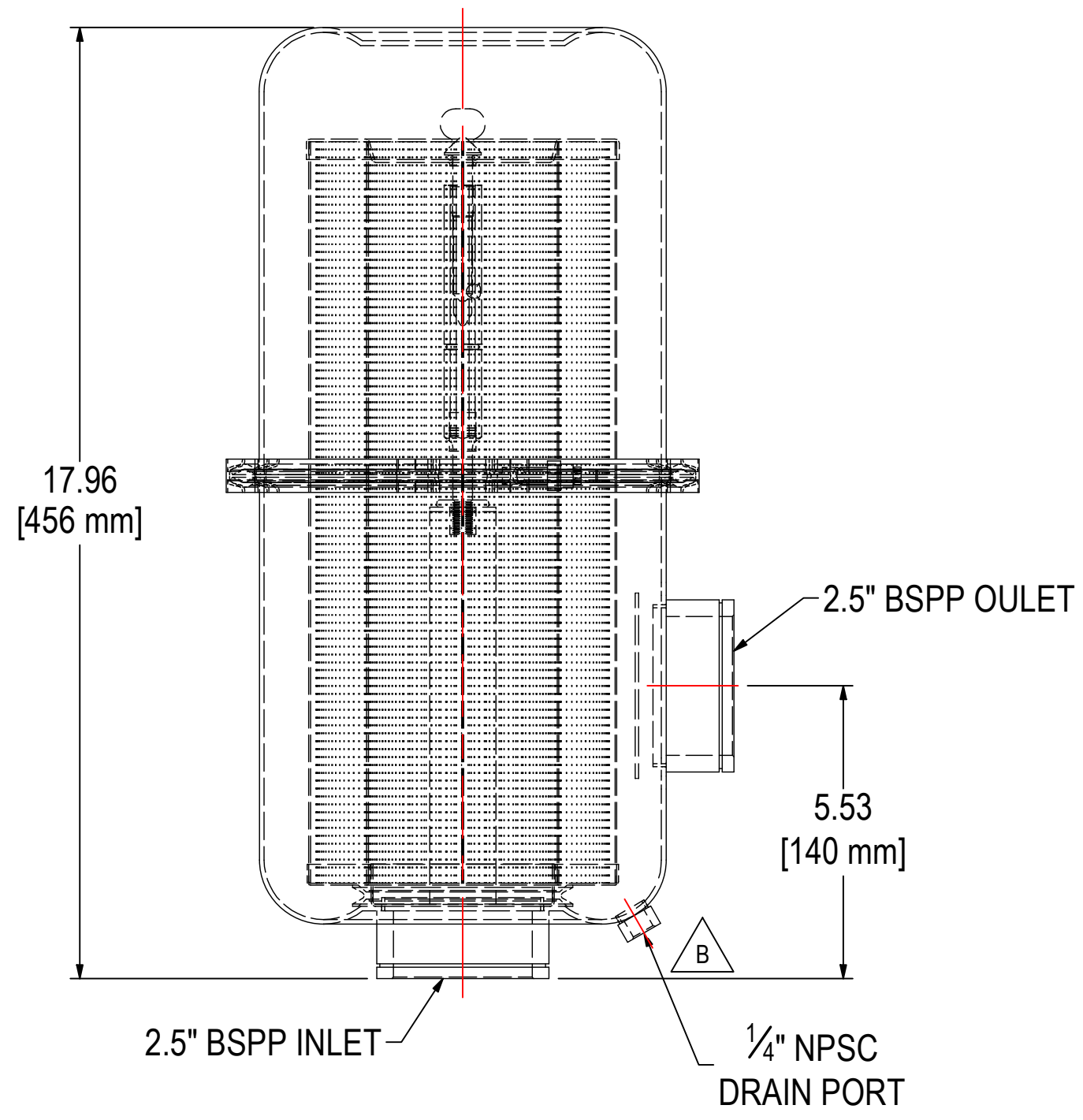
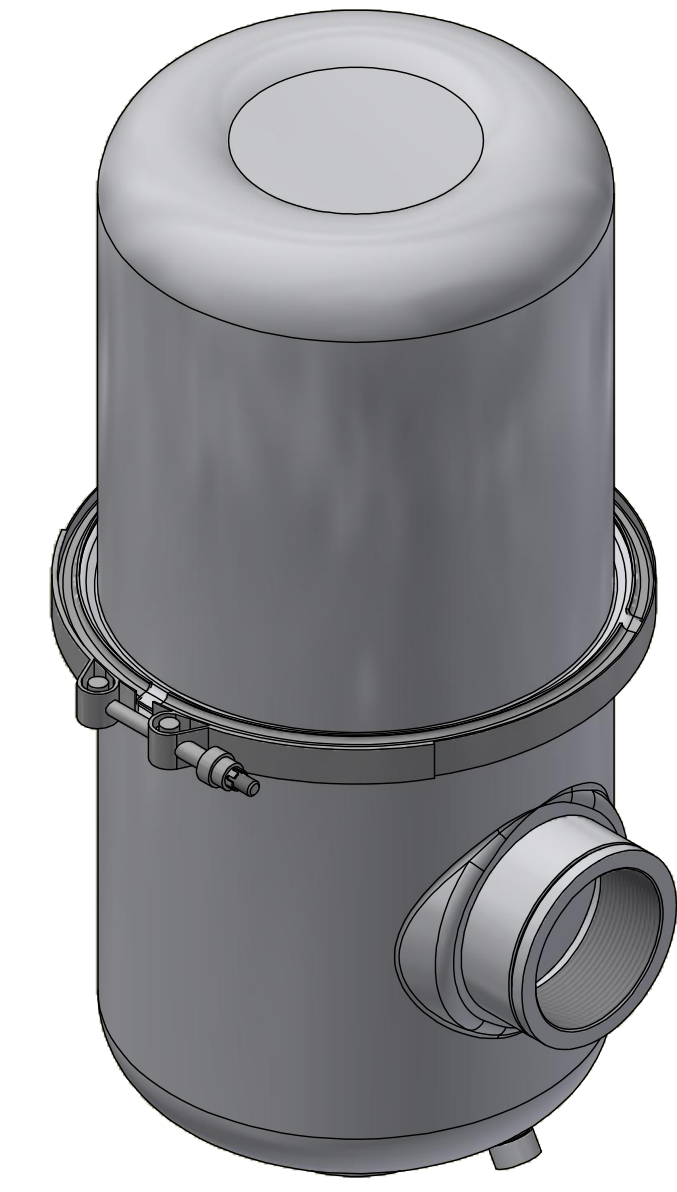
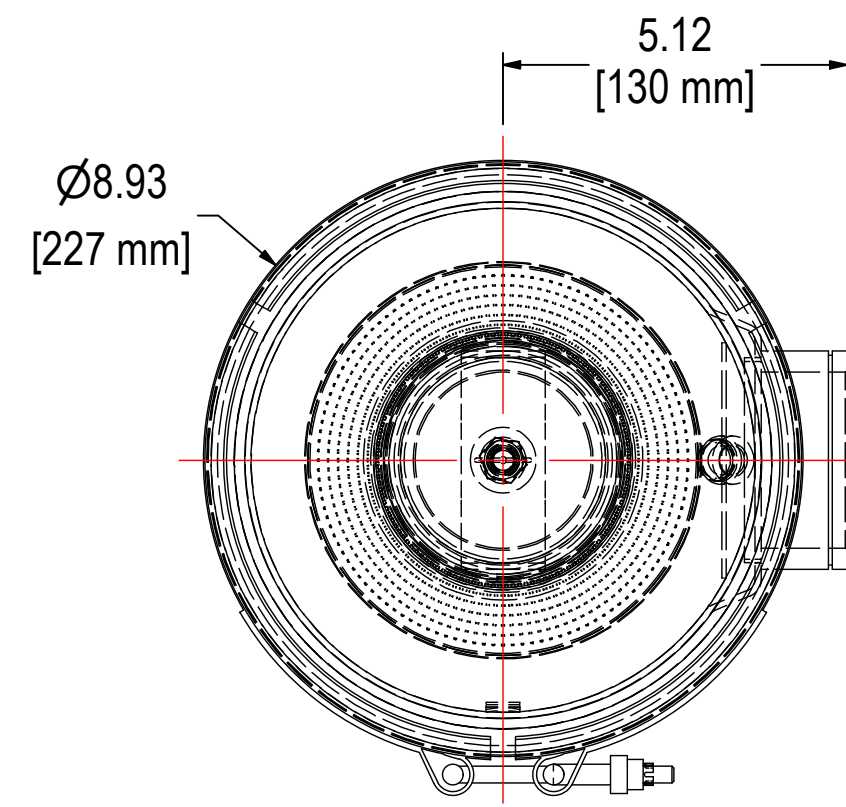


REV	DESCRIPTION	ECN #	CHG BY	DATE	APP'D
A	UPDATED DRAWING LAYOUT	29737	WZL	05/30/24	NAS
B	REMOVED DRAIN PORT PLUG	PRJ700	DMC	06/11/25	NAS



ELEMENT SPECS		
PART NUMBER	PSG860/1	
MATERIAL	COALESCING	
FLOW RATE	200 CFM	340 m ³ /hr
SURFACE AREA	-	-
I.D.	3.50"	89mm
O.D.	5.91"	150mm
HEIGHT	14.09"	358mm

MODEL #: HDL-PSG860/1-251HC	MATERIAL: CARBON STEEL	FINISH: WHITE POWDER	SHEET: 1 OF 1
MODEL NUMBER: HDL-PSG860/1-251HC			
DESCRIPTION: HDL-PSG860/1-251HC, WHITE			
PROJECT:	DRAWN BY: CRW	APPROVED BY: M.C.	REV: B
	DATE: 1/14/2015	DATE: 1/14/2015	

SOLBERG
Filtration • Separation • Silencing
630.773.1363 • www.solbergmfg.com

THE INFORMATION CONTAINED HEREIN IS CONFIDENTIAL AND THE PROPERTY OF SOLBERG MANUFACTURING INC. AND IT IS FURNISHED TO YOU WITH THE EXPRESS UNDERSTANDING THAT IT WILL NOT BE REPRODUCED, COPIED IN ANY MANNER, LOANED OR OTHERWISE TRANSFERRED TO OTHERS ENTIRELY OR IN PART, NOR USED FOR ANY PURPOSE OTHER THAN FOR WHICH IT WAS FURNISHED. IT WILL BE RETURNED UPON REQUEST TO SOLBERG MANUFACTURING INC. THE ABOVE RESTRICTION IS IN ADDITION TO, AND DOES NOT IN ANY WAY ALTER, ANY OTHER RESTRICTIONS WHICH MAY APPLY TO THE INFORMATION CONTAINED HEREIN.

TOLERANCES
DIMENSIONS ARE FOR REFERENCE ONLY. ALL DIMENSIONS ARE SUBJECT TO CHANGE UPON PRODUCTION.
UNLESS OTHERWISE SPECIFIED:
-DIMENSIONS ARE IN INCHES
-REF: APPROXIMATE DIMENSIONS, NO TOLERANCES APPLY
-FINISH: BREAK EDGES TO .005-.020 RADIUS/CHAMFER